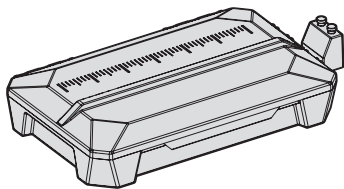
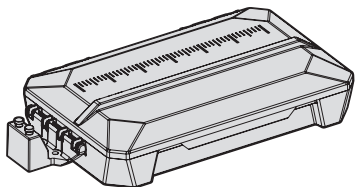
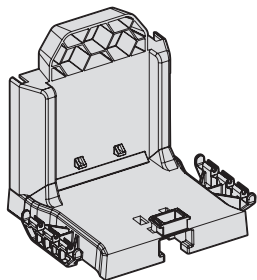


# OWNER'S MANUAL



## KPHA750 Pocket-Hole Jig Docking Station

For use with Kreg 500-Series and 700-Series  
Pocket-Hole Jigs



**WARNING** Every user must read and follow instructions and safety precautions in this manual. Failure to do so could result in serious injury. Save manual for future reference.

### We're here to help.

We want you to have an exceptional project building experience. If you have questions or need support, please get in touch.  
1-800-447-8638 | [technicalsupport@kregtool.com](mailto:technicalsupport@kregtool.com)

### Tell us about your experience.

Your opinion counts. And we're always looking for ways to improve. Share your feedback so we can keep growing and innovating for you.  
[www.kregtool.com/feedback](http://www.kregtool.com/feedback)

English	2
French (N. America)	19
Spanish (N. America)	37
French	55
Spanish	73
German	91

# Table of Contents

Safety Precautions . . . . .	2	Operation - Folding the Material Support Wings . . . . .	12
Pre-Assembly . . . . .	3	Operation - Using the Adjustable Stop . . .	13
Recommended Tools (Not Included) . . .	3	Removing the Jig from the Docking Station . . . . .	15
Product Description . . . . .	3	Care and Cleaning . . . . .	16
Assembly: For 500-Series Jig . . . . .	4		
Assembly: For 700-Series Jig . . . . .	7		
Assembly: Adjustable Stop . . . . .	10		

## Safety Precautions

**WARNING** Before using a power tool with this product, read and follow the tool manufacturer's instructions and safety precautions in addition to the safety precautions below to reduce the risk of serious injury from hazards such as fire, electric shock, or rotating drill bit.

- Always wear personal protective equipment recommended by the manufacturer of the power tool you are using, such as eye, hearing, or respiratory protection.
- The drill bit is sharp. Handle with care.
- Do not allow familiarity gained from frequent use of your tools to replace safe work practices. A moment of carelessness is sufficient to cause serious injury.
- Avoid awkward hand positions where a sudden slip could cause contact with the rotating bit.
- When drilling, always ensure workpiece is clamped securely. It is dangerous to hold workpiece in place by hand.

**WARNING** Do not operate this tool or any machinery while under the influence of drugs, alcohol, or medications.

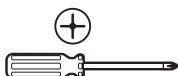
**WARNING** This product can expose you to chemicals including Acrylonitrile and other chemicals, which are known to the State of California to cause cancer and reproductive harm. For more information go to [www.P65Warnings.ca.gov](http://www.P65Warnings.ca.gov).

# Pre-Assembly

Review this section before you begin. Ensure that you have all tools and materials on hand. Compare the package with the items listed in the Recommended Tools and Product Description sections. If any item is missing or lost, do not use this product. Contact Technical Support or return the product to the place of purchase.

## Recommended Tools (Not Included)

Assembling dock for use with 500-Series Jig:

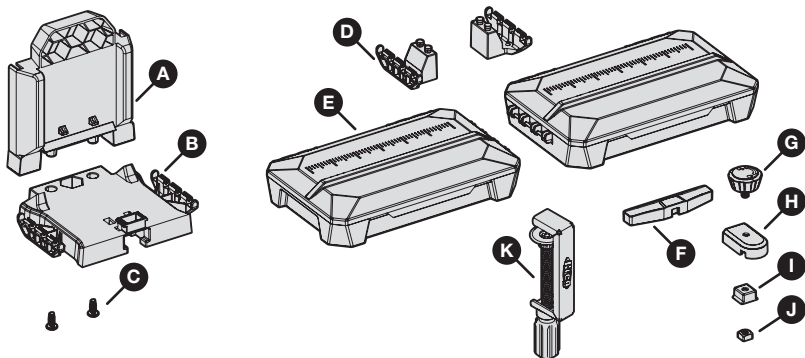


#2 Phillips screwdriver

Assembling dock for use with 700-Series Jig:

No tools are required.

## Product Description



Part	Description
A	Dock-base back for 500-Series Jig
B	Dock-base platform for 500-Series Jig
C	Dock-base screws (2) for 500-Series Jig
D	Dock adapters for 700-Series Jig (2)
E	Material support wings (2)

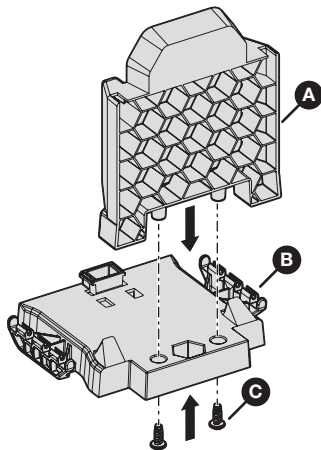
Part	Description
F	Adjustable stop arm
G	Adjustable stop knob
H	Adjustable stop base
I	Adjustable stop base wedge
J	Adjustable stop square nut
K	KPHA760 Pocket-hole jig clamp

# Assembly: For 500-Series Jig

This section describes how to assemble the KPHA750 Pocket-Hole Jig Docking Station for use with a Kreg 500-Series Jig.

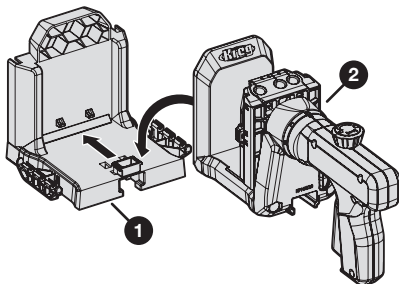
## 1 Assemble the Dock Base

- a. Remove the two screws (C) taped to the dock-base platform (B).
- b. Insert the dock-base back (A) into the dock-base platform (B):
  - The honeycomb side of the dock-base back (A) faces away from the dock-base platform (B).
  - The two connectors that protrude from the bottom of the dock-base back (A) fit into the corresponding holes in the dock-base platform (B).
- c. For each connector: Insert a screw (C) into the connector from the underside of the dock-base platform (B); then use a #2 Phillips screwdriver to tighten the screw (C).



## 2 Connect the 500-Series Jig to the Dock Base

- a. Place the assembled dock base (1) on a flat surface.
- b. Slide the 500-Series Jig (2) onto the dock base until the jig (2) reaches the back of the assembled dock base (1) and snaps into position.





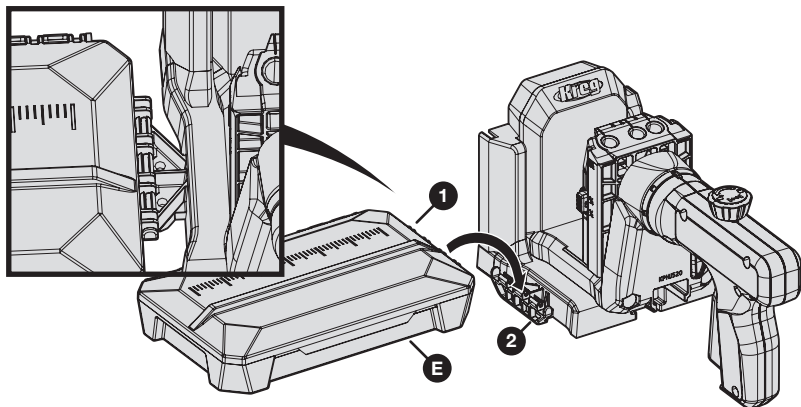
### 3 Connect the Material Support Wings to the Dock Base

**Tip** The material support wings also serve as storage boxes.

- Hold a material support wing (E) right-side up (so that the lid of the storage box is facing up and opens away from you).
- Align the connector (1) on the side of the material support wing (E) with the connector (2) on the side of the dock base; then press the material support wing (E) down firmly so that the connectors snap together.

**Note** The bars on the material-support-wing connector (1) snap into the grooves on the dock-base connector (2).

- Repeat these steps to connect the other material support wing (E) to the connector (2) on the opposite side of the dock base.

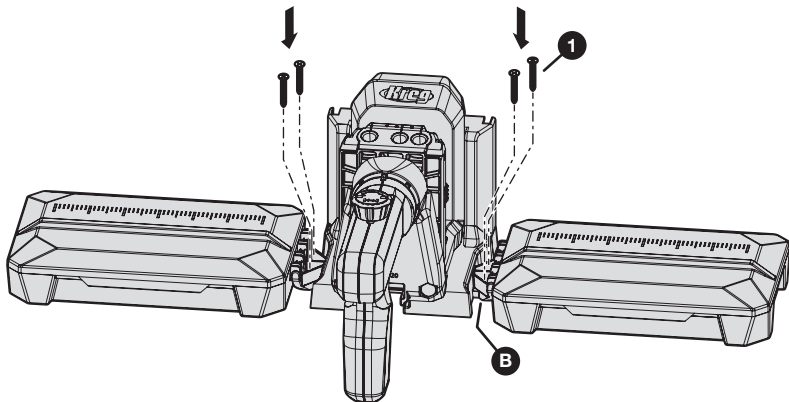
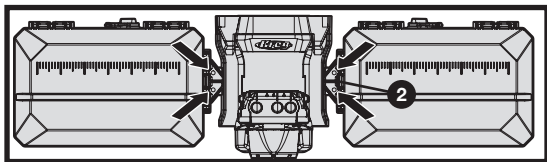


## 4 *Optional: Mount the Dock Base to a Work Surface*

If desired, you can mount the dock base to your work surface for added stability.

- Place the assembled docking station (with or without the 500-Series Jig attached) in the desired position on your workbench.
- Drive one Kreg pocket-hole screw (1) through each of the four mounting holes (2) in the dock-base platform (B).

**Note** You can use Kreg SML-C125 screws or any other Kreg pocket-hole screw.



# Assembly: For 700-Series Jig

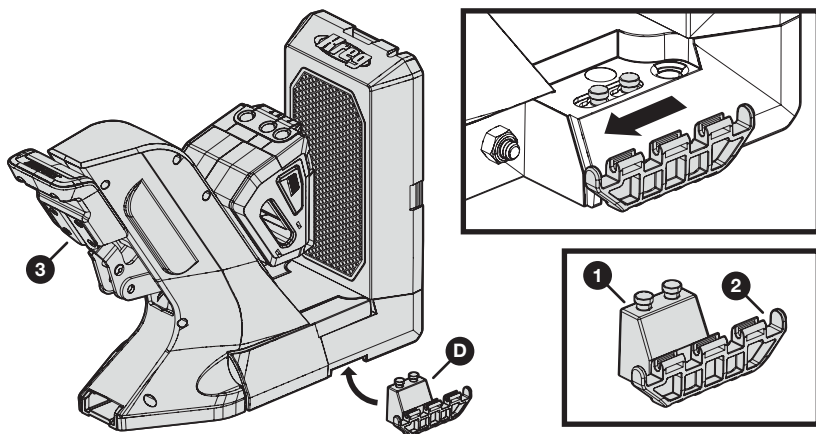
This section describes how to assemble the KPHA750 Pocket-Hole Jig Docking Station for use with a Kreg 700-Series Jig.

## 1 Connect the Dock Adapters to the 700-Series Jig

- Place the 700-Series Jig on a flat surface.
- With one hand, lift one side of the 700-Series Jig slightly.
- With your other hand, place a dock adapter (D) under the jig so that the attachment pins (1) fit into the corresponding hole on the underside of the jig; then slide the dock adapter (D) toward the jig handle (3) to lock the dock adapter (D) into position.

**Note** One side of a dock adapter (D) has attachment pins (1) that fit under the jig; the other side has a connector (2) for a material support wing (not shown). Ensure that the wing-connector side (2) of the dock adapter (D) extends out from the side of the jig.

- Repeat steps b and c to connect the other dock adapter (D) on the opposite side of the jig.



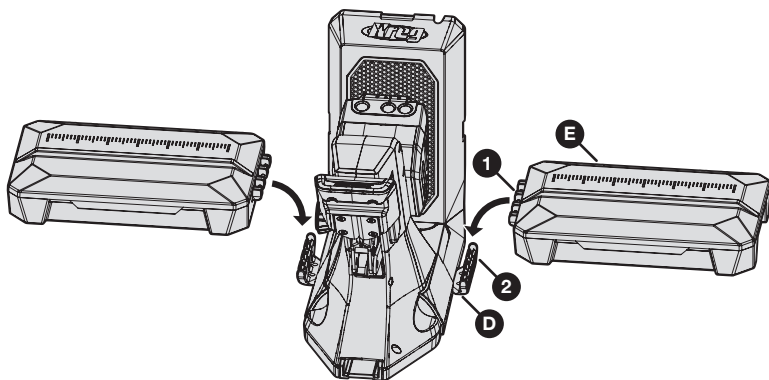
## 2 Connect the Material Support Wings to the Dock Adapters

**Tip** The material support wings also serve as storage boxes.

- Hold a material support wing (E) right-side up (so that the lid of the storage box is facing up and opens away from you).
- Align the connector (1) on the side of the material support wing (E) with the connector (2) on the dock adapter (D) that extends from the side of the jig; then press the material support wing (E) down firmly so that the connectors snap together.

**Note** The bars on the material-support-wing connector (1) snap into the grooves on the dock-adaptor connector (2).

- Repeat these steps to connect the other material support wing (E) to the dock adapter (D) on the opposite side of the jig.

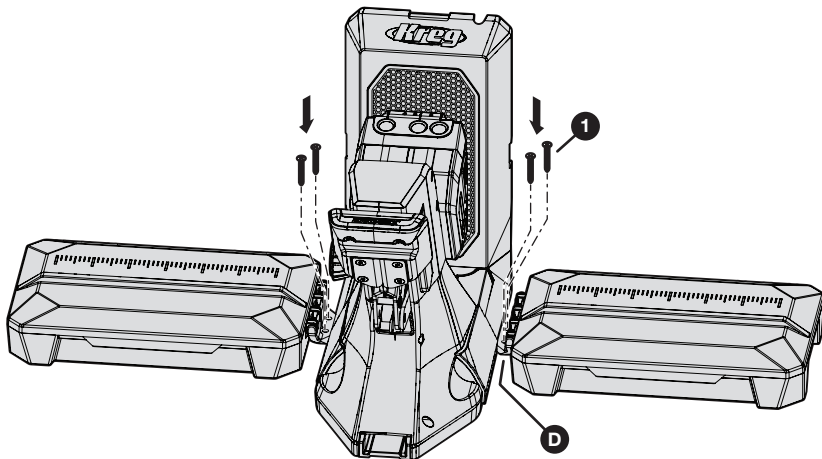
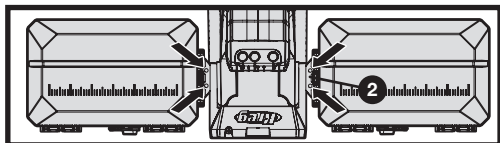


### 3 *Optional: Mount the Dock Adapters to a Work Surface*

If desired, you can mount the dock adapters to your work surface for added stability.

- Place the docking station (with the 700-Series Jig attached to it) in the desired position on your workbench.
- Drive one Kreg pocket-hole screw (1) through each of the four mounting holes (2) in the dock adapters (D).

**Note** You can use Kreg SML-C125 screws or any other Kreg pocket-hole screw.



# Assembly: Adjustable Stop

The docking station includes an adjustable stop that can be attached to either material support wing. The adjustable stop makes it easy to achieve repeatable results when you have many pieces that require the same pocket-hole spacing.

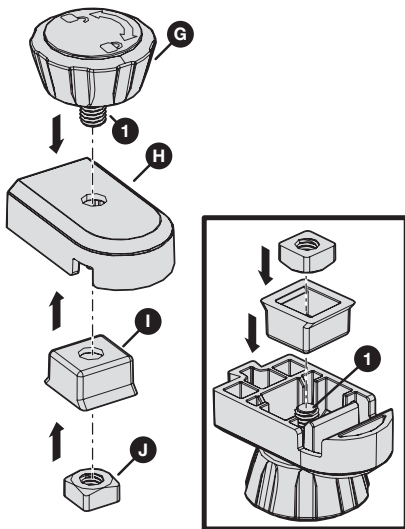
**Note** The adjustable stop has two parts: the adjustable stop base, which you will assemble in step 1; and the adjustable stop arm, which can be attached to the adjustable stop base in different configurations (see step 2).

## 1 Assemble the Adjustable Stop Base

- Insert the screw (1) of the adjustable stop knob (G) into the hole on top of the adjustable stop base (H).
- Holding the adjustable stop knob (G) in position, turn the adjustable stop base (H) upside down so that the screw (1) extends upward.
- Drop the adjustable stop base wedge (I) onto the screw (1) with the flanged side of the adjustable stop base wedge (I) facing up.

**Note** The adjustable stop base wedge (I) should sit flush with the adjustable stop base (H). If it does not sit flush, rotate the adjustable stop base wedge (I) 90 degrees.

- Place the adjustable stop square nut (J) onto the screw (1); then rotate the adjustable stop knob (G) until the adjustable stop square nut (J) is finger-tight.

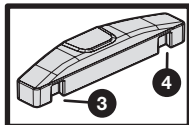
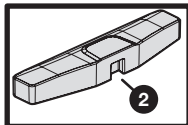
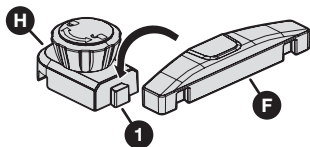


## 2 Attach the Adjustable Stop Arm to the Adjustable Stop Base

Slide a notch in the adjustable stop arm (F) down over the tab (1) on the adjustable stop base (H) until the adjustable stop arm (F) is fully seated on the tab (1).

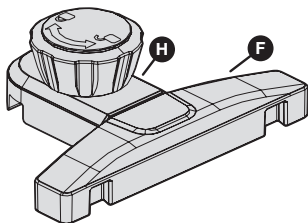
**Note** The adjustable stop arm (F) has three notches: a center notch (2) on one side and two outer notches (3, 4) on the opposite side. Use the appropriate notch depending on how you want to configure the adjustable stop.

**Note** To change the configuration of the adjustable stop, lift the adjustable stop arm (F) off the adjustable stop base (H). Then slide a different notch of the adjustable stop arm (F) over the tab (1) on the adjustable stop base (H).



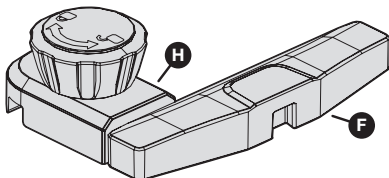
### Centered Configuration

Use the arm's center notch (2)



### Side Configuration

Use either of the arm's outer notches (3, 4), so that the arm (F) extends to one side of the base (H)



# Operation - Folding the Material Support Wings

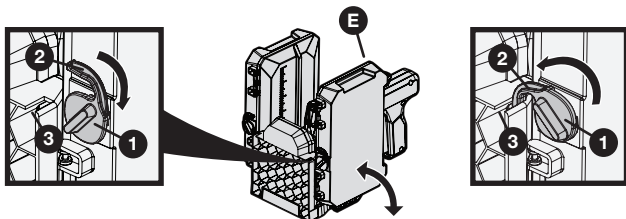
You can fold the material support wings up to the vertical position to save space when the jig is not in use, or to make it easier to move the jig from one location to another. Always fold the material support wings down before using the jig.

## To fold up the material support wings:

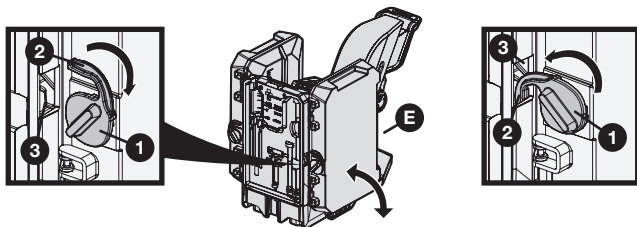
- Fold the material support wing (E) up to a vertical position.
- Rotate the wing lock (1) inward until the latch (2) engages in the corresponding notch:
  - For a 500-Series Jig, the notch (3) is located on the side of the dock-base back (A).
  - For a 700-Series Jig, the notch (3) is located on the side of the jig.
- Repeat this process for the material support wing (E) on the opposite side of the jig.

## To fold down the material support wings:

- Rotate the wing lock (1) outward until the latch (2) disengages from the notch:
  - For a 500-Series Jig, the notch (3) is located on the side of the dock base (A).
  - For a 700-Series Jig, the notch (3) is located on the side of the jig.
- Fold the material support wing (E) down to a horizontal position.
- Repeat this process for the material support wing (E) on the opposite side of the jig.



Folding the material support wings on a 500-Series Jig



Folding the material support wings on a 700-Series Jig



# Operation - Using the Adjustable Stop

The adjustable stop enables you to drill pocket holes on similar workpieces at a faster pace.

**Note** The adjustable stop requires assembly. See **Assembly: Adjustable Stop** on page 10.

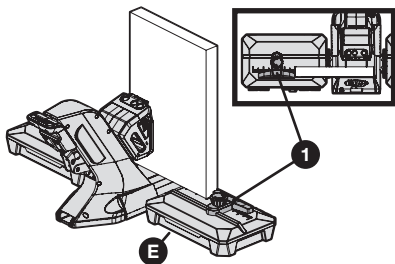
## 1 Set Up the Adjustable Stop

If necessary, change the configuration of the adjustable stop to accommodate the size and orientation of your workpiece in the jig:

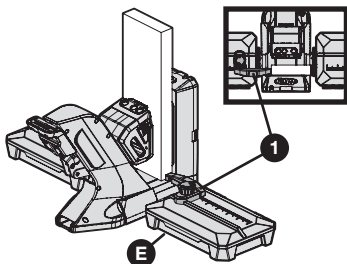
- **Wide workpiece:** If the workpiece is wide enough to extend onto the top of a material support wing (E), use the adjustable stop (1) in its *centered* configuration.
- **Narrow workpiece:** If the workpiece does not extend across the gap between the jig and the material support wing (E), use the adjustable stop (1) in a *side* configuration.

**Note** For a side configuration, use whichever outer notch in the adjustable stop arm will be farther from the jig after you place the adjustable stop (1) onto a material support wing (E).

**Note** For instructions on changing the configuration, see **Attach the Adjustable Stop Arm to the Adjustable Stop Base** on page 11.



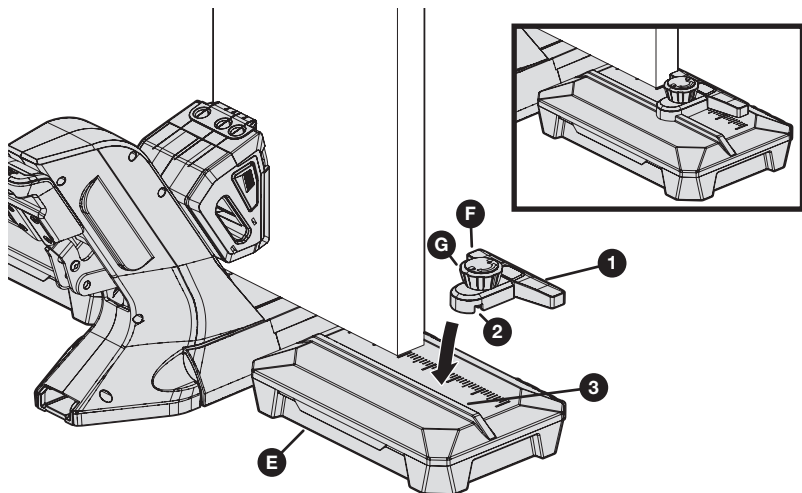
Adjustable stop (1) in centered configuration for wide workpiece



Adjustable stop (1) in side configuration for narrow workpiece

## 2 Place the Adjustable Stop in Position

- a. With the adjustable stop (1) configured the way you want it, place the adjustable stop (1) onto the lid of a material support wing (E) so that:
  - The edge of the adjustable stop arm (F) rests snugly against the workpiece.
  - The notch (2) on the underside of the adjustable stop base fits over the rail (3) that runs across the lid of the material support wing (E).
- b. Rotate the adjustable stop knob (G) clockwise until tight to secure the adjustable stop (1) in position.



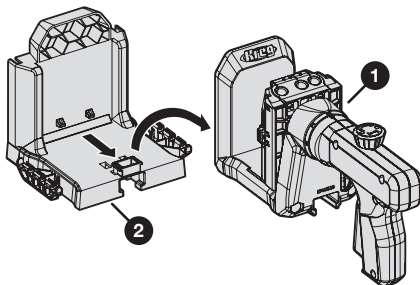
**Note** To reposition or remove the adjustable stop (1), rotate the adjustable stop knob (G) counterclockwise to loosen it. Then slide the adjustable stop (1) to a new position along the rail (3) or lift it off of the material support wing (E).

## Removing the Jig from the Docking Station

If you want to use the jig without the docking station, you can remove it from the docking station.

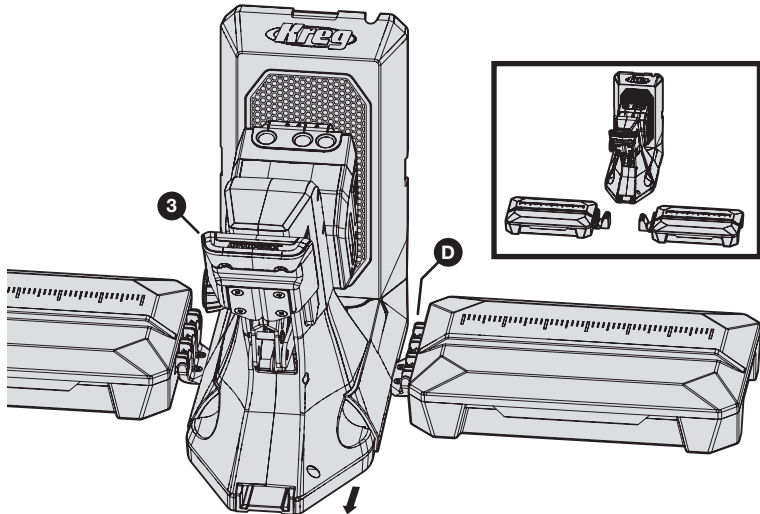
### Removing a Kreg 500-Series Jig

Grasp the jig (1) firmly and pull it toward you to slide it off the dock base (2).



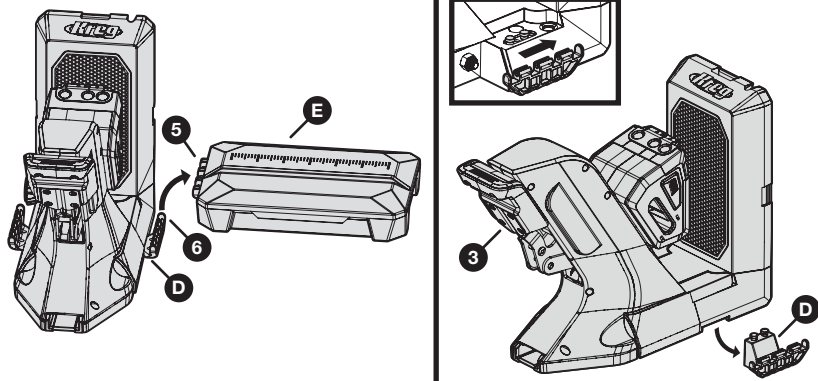
### Removing a Kreg 700-Series Jig from a Mounted Docking Station

With the jig handle (3) facing you, slide the jig toward you until the jig disengages from the dock adapters (D). Then lift the jig off the dock adapters (D).



## Removing a Kreg 700-Series Jig from an Unmounted Docking Station

- a. Detach each material support wing (E):
  1. Grasp the material support wing (E) close to where it connects to the dock adapter (D).
  2. Gently lift up the material support wing (E) so that the material-support-wing connector (5) pops out of the dock-adapter connector (6).
- b. Remove the dock adapter (D) from each side of the jig:
  1. Lift that side of the jig slightly off the work surface.
  2. With the jig handle (3) facing you, slide the dock adapter (D) away from you until the dock adapter (D) disengages from the slot on the underside of the jig.
  3. Pull the dock adapter (D) out from the underside of the jig.



## Care and Cleaning

Periodically clean the dock by vacuuming any chips and wood dust.

Use a damp cloth to wipe SureGrip™ anti-slip pad surfaces clean of dust and debris.





## **EXPLORE. BUILD. SHARE.**

We're makers just like you.

That's why we love to see what you're working on.  
Share with the community and get inspired!

**#madewithKreg**

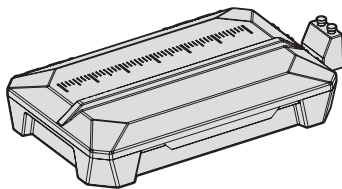
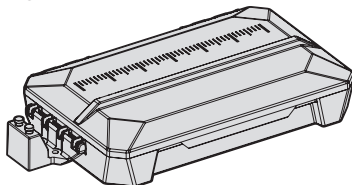
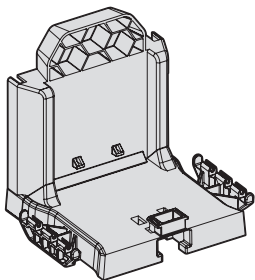
Get free plans, project resources, and more.  
*[kregtool.com](http://kregtool.com) and [buildsomething.com](http://buildsomething.com)*

# GUIDE D'UTILISATEUR



## Station d'accueil pour gabarit de perçage à angle KPHA750

À utiliser avec les gabarits de perçage à angle série 500 et série 700 de Kreg



**AVERTISSEMENT** Chaque utilisateur doit lire et suivre les instructions et les précautions de sécurité de ce manuel. Respectez cette consigne afin d'éviter tout risque de blessures graves. Conservez le manuel pour une utilisation ultérieure.

### **Nous sommes là pour vous aider.**

Nous voulons que votre projet de construction se déroule de manière optimale.

Si vous avez des questions ou si vous avez besoin d'aide, n'hésitez pas à nous contacter.

1 800 447-8638 | [technicalsupport@kregtool.com](mailto:technicalsupport@kregtool.com)

### **Parlez-nous de votre expérience.**

Votre opinion compte. Et nous sommes toujours à la recherche de moyens de nous améliorer.

Partagez vos commentaires afin que nous puissions continuer à croître et à innover, pour vous.

[www.kregtool.com/feedback](http://www.kregtool.com/feedback)

# Table des matières

Précautions de sécurité . . . . .	.20	Fonctionnement – Pliage des ailes de support pour le matériau . . . . .	.30
Avant l'assemblage. . . . .	.21	Fonctionnement – Utilisation de l'arrêt réglable . . . . .	.31
Outils recommandés (non inclus) . . . . .	.21	Retrait du gabarit de la station d'accueil .33	
Description du produit . . . . .	.21	Entretien et nettoyage . . . . .	.34
Assemblage : Gabarit série 500 . . . . .	.22		
Assemblage : Gabarit série 700 . . . . .	.25		
Assemblage : Arrêt réglable . . . . .	.28		

## Précautions de sécurité

**AVERTISSEMENT** Avant d'utiliser un outil électrique avec ce produit, veuillez lire et suivre les instructions et les précautions de sécurité du fabricant de l'outil, en plus des précautions de sécurité ci-dessous, afin de réduire le risque de blessures graves dues à des risques comme le feu, les chocs électriques ou les mèches de forage rotatives.

- Portez toujours l'équipement de protection individuelle recommandé par le fabricant de l'outil électrique que vous utilisez, par exemple une protection pour les yeux, les tympans ou les voies respiratoires.
- La mèche de forage est tranchante. Manipulez-la avec précaution.
- Faites attention lorsque vous devenez familier avec l'outil en raison d'une utilisation fréquente. Employez systématiquement des pratiques de travail sécuritaires. Un moment d'inattention est suffisant pour causer des blessures graves.
- Évitez de positionner vos mains de manière maladroite, car un glissement soudain pourrait causer un contact avec la mèche en rotation.
- Lors du perçage, assurez-vous toujours que la pièce soit solidement ancrée en place. Il est dangereux de tenir une pièce en place à l'aide de votre main.

**AVERTISSEMENT** N'utilisez pas cet outil ou toute autre machine sous l'influence de drogues, d'alcool ou de médicaments.

**AVERTISSEMENT** Ce produit peut vous exposer à des produits chimiques, notamment l'acrylonitrile ou d'autres types dont l'État de Californie reconnaît être cancérigènes et nocifs pour la reproduction. Pour en savoir plus, visitez [www.P65Warnings.ca.gov](http://www.P65Warnings.ca.gov).

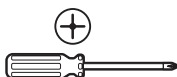


# Avant l'assemblage

Consultez cette section avant de commencer. Assurez-vous d'avoir tous les outils et les matériaux à portée de main. Comparez le contenu de votre paquet avec les éléments énumérés dans les sections Outils recommandés et Description du produit. Si un article est manquant, n'utilisez pas ce produit. Contactez le support technique ou retournez le produit où vous l'avez acheté.

## Outils recommandés (non inclus)

Assemblage de la station pour l'utiliser avec le gabarit série 500 :

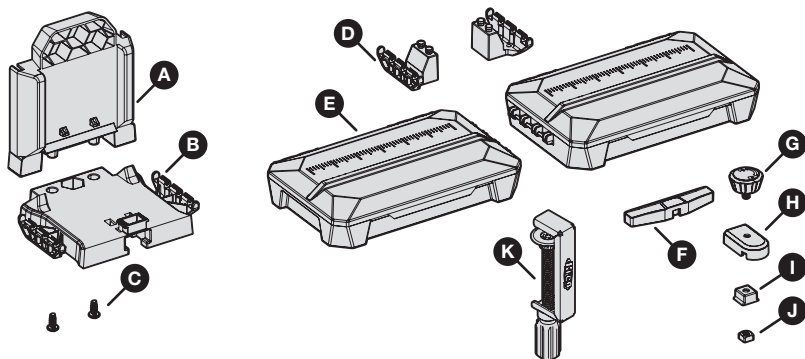


Tournevis Phillips n° 2

Assemblage de la station pour l'utiliser avec le gabarit série 700 :

Aucun outil n'est requis.

## Description du produit



Pièce	Description
A	Station d'accueil pour le gabarit série 500
B	Station d'accueil pour le gabarit série 500
C	Vis du socle (2) pour le gabarit série 500
D	Adaptateurs de station pour le gabarit série 700 (2)
E	Ailes de support pour le matériau (2)

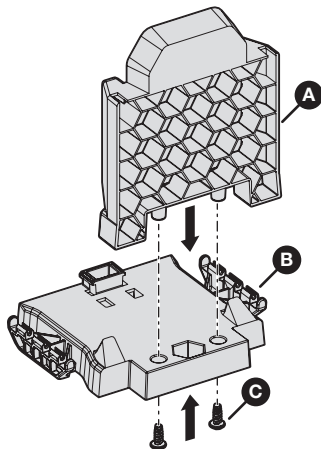
Pièce	Description
F	Bras d'arrêt réglable
G	Bouton d'arrêt réglable
H	Base d'arrêt réglable
I	Cale de la base d'arrêt réglable
J	Écrou d'arrêt carré réglable
K	Pince pour gabarit de perçage à angle KPHA760

# Assemblage : Gabarit série 500

Cette section décrit comment assembler la station d'accueil pour gabarit de perçage à angle KPHA750 pour l'utiliser avec un gabarit série 500 de Kreg.

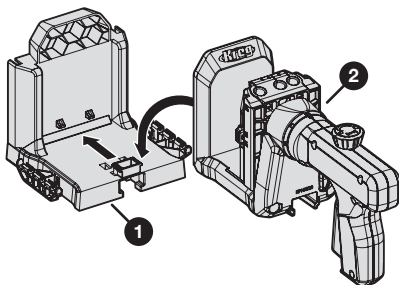
## 1 Assemblage de la base de la station

- Retirez les deux vis (C) collées sur la plate-forme de la base de la station (B).
- Insérez l'arrière de la base (A) dans la plate-forme de la base (B) :
  - Le côté en nid d'abeilles de l'arrière de la base (A) est orienté à l'opposé de la plate-forme de la base (B).
  - Les deux connecteurs qui dépassent du fond de l'arrière de la base (A) s'insèrent dans les trous correspondants de la plate-forme de la base (B).
- Pour chaque connecteur : Insérez une vis (C) dans le connecteur par le dessous de la plate-forme de la base (B); puis utilisez un tournevis Phillips n° 2 pour serrer la vis (C).



## 2 Raccordez le gabarit série 500 à la base de la station

- Une fois assemblée, placez la base de la station (1) sur une surface plane.
- Faites glisser le gabarit série 500 (2) sur la base de la station jusqu'à ce que le gabarit (2) atteigne l'arrière de la base de la station assemblée (1) et s'enclenche en position.



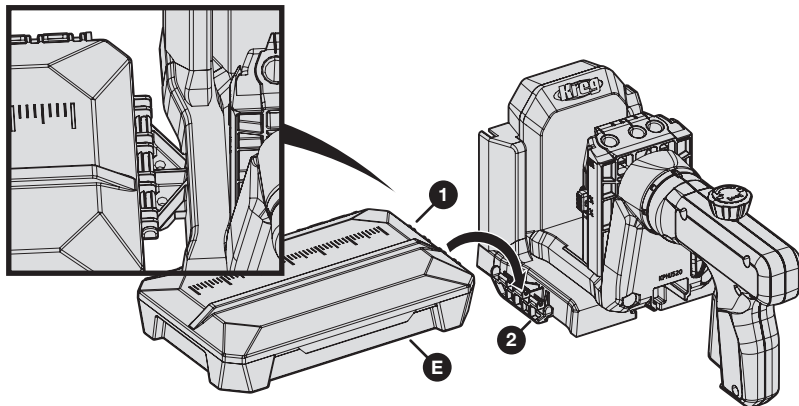
### 3 Raccordez les ailes de support pour le matériau à la base de la station

**Astuce** Les ailes de support pour le matériau peuvent également servir de rangements.

- Tenez une aile de support pour le matériau (E) à l'endroit (de sorte que le couvercle de la boîte de rangement soit tourné vers le haut et s'ouvre à l'opposé de vous).
- Alignez le connecteur (1) sur le côté de l'aile de support (E) avec le connecteur (2) sur le côté de la base de la station; puis appuyez fermement sur l'aile de support (E) pour que les connecteurs s'emboîtent.

**Remarque** Les barres du connecteur de l'aile de support (1) s'enclenchent dans les rainures du connecteur de la base de la station (2).

- Répétez ces étapes pour connecter l'autre aile de support (E) au connecteur (2) sur le côté opposé de la base de la station.

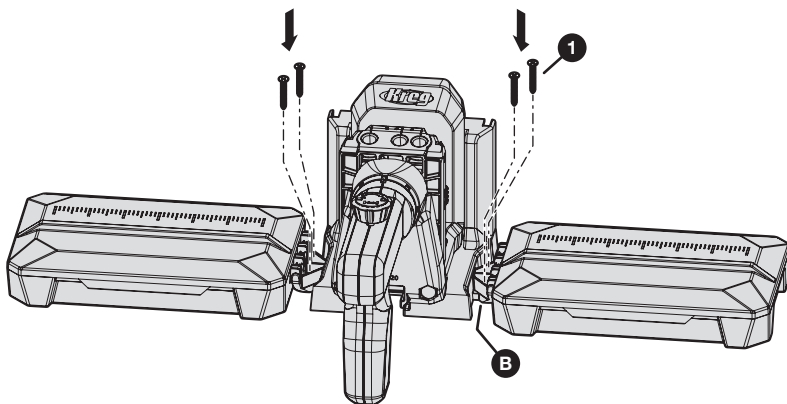
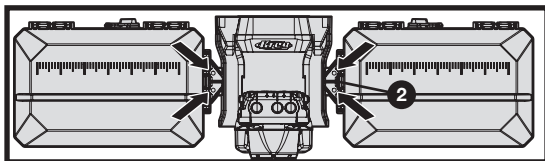


## 4 *Optionnel* : Fixez la base de la station sur une surface de travail

Si vous le souhaitez, vous pouvez fixer la base de la station sur votre surface de travail pour plus de stabilité.

- Placez la station d'accueil assemblée (avec ou sans le gabarit série 500) dans la position souhaitée sur votre établi.
- Enfoncez une vis de perçage à angle Kreg (1) dans chacun des quatre trous de fixation (2) de la plate-forme de la base (B).

**Remarque** Vous pouvez utiliser des vis Kreg SML-C125 ou toute autre vis de perçage à angle Kreg.



# Assemblage : Gabarit série 700

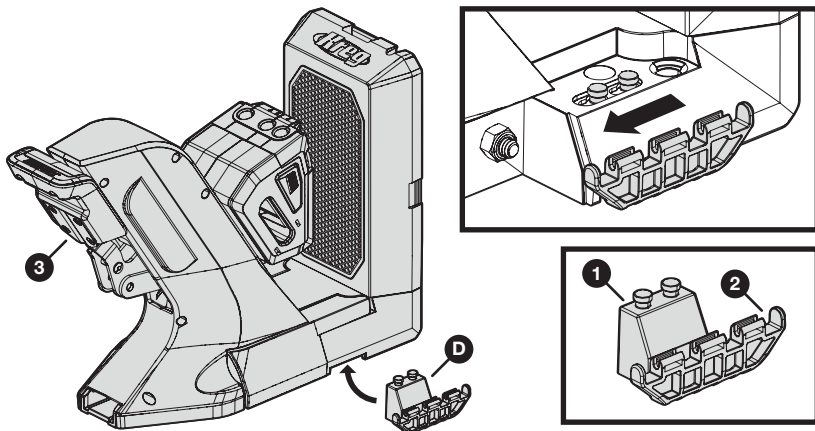
Cette section décrit comment assembler la station d'accueil pour gabarit de perçage à angle KPHA750 pour l'utiliser avec un gabarit série 700 de Kreg.

## 1 Connectez les adaptateurs de station au gabarit série 700

- Placez le gabarit série 700 sur une surface plane.
- D'une main, soulevez légèrement un côté du gabarit série 700.
- À l'aide de votre autre main, placez un adaptateur de station (D) sous le gabarit de manière à ce que les goupilles de fixation (1) s'insèrent dans le trou correspondant sur la face inférieure du gabarit; puis faites glisser l'adaptateur de station (D) vers la poignée du gabarit (3) pour verrouiller l'adaptateur (D) en position.

**Remarque** Un côté de l'adaptateur de station (D) a des goupilles de fixation (1) qui se glissent sous le gabarit; l'autre côté est doté d'un connecteur (2) pour une aile de support (l'image ne l'illustre pas). Assurez-vous que le côté du connecteur pour aile de support (2) de l'adaptateur de station (D) dépasse sur le côté du gabarit.

- Répétez les étapes b et c pour connecter l'autre adaptateur de station (D) sur le côté opposé du gabarit.



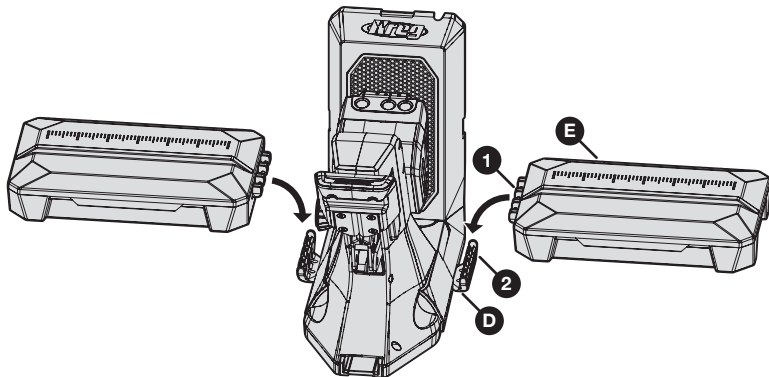
## 2 Raccordez les ailes de support pour le matériel aux adaptateurs de la base

**Astuce** Les ailes de support pour le matériel peuvent également servir de rangements.

- Tenez une aile de support pour le matériel (E) à l'endroit (de sorte que le couvercle de la boîte de rangement soit tourné vers le haut et s'ouvre à l'opposé de vous).
- Alignez le connecteur (1) sur le côté de l'aile de support (E) avec le connecteur (2) sur l'adaptateur de station (D) qui dépasse du côté du gabarit; puis appuyez fermement sur l'aile de support (E) pour que les connecteurs s'emboîtent.

**Remarque** Les barres du connecteur de l'aile de support (1) s'enclenchent dans les rainures du connecteur de la base de la station (2).

- Répétez ces étapes pour connecter l'autre aile de support (E) à l'adaptateur de station (D) sur le côté opposé du gabarit.

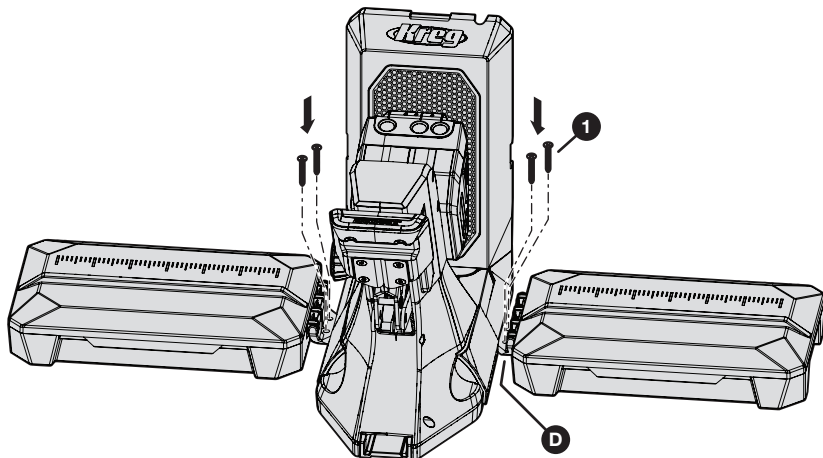
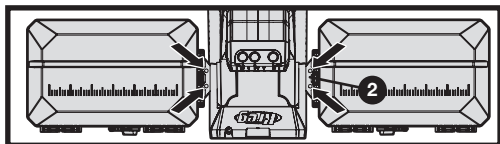


### 3 Optionnel : Fixez la base de la station sur une surface de travail

Si vous le souhaitez, vous pouvez fixer les adaptateurs de la station sur votre surface de travail pour plus de stabilité.

- Placez la station d'accueil (avec le gabarit série 700 y étant attaché) dans la position souhaitée sur votre établi.
- Enfoncez une vis pour perçage à angle Kreg (1) dans chacun des quatre trous de fixation (2) des adaptateurs de station (D).

**Remarque** Vous pouvez utiliser des vis Kreg SML-C125 ou toute autre vis de perçage à angle Kreg.



# Assemblage : Arrêt réglable

La station d'accueil comprend un arrêt réglable qui peut être fixé à l'une ou l'autre des ailes de support. L'arrêt réglable permet d'obtenir facilement des résultats uniformes lorsque vous avez de nombreuses pièces qui nécessitent le même espacement entre les perçages à angle.

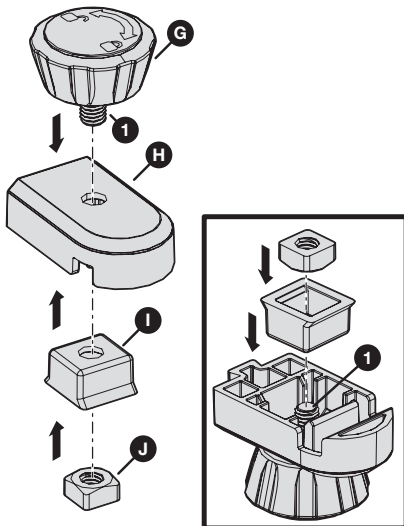
**Remarque** L'arrêt réglable est composé de deux parties : la base d'arrêt réglable, que vous assemblerez durant l'étape 1; et le bras d'arrêt réglable, qui peut être fixé à la base d'arrêt réglable selon différentes configurations (consultez l'étape 2).

## 1 Assemblage de la base d'arrêt réglable

- Insérez la vis (1) du bouton d'arrêt réglable (G) dans le trou situé au-dessus de la base d'arrêt réglable (H).
- En maintenant le bouton d'arrêt réglable (G) en position, tournez la base d'arrêt réglable (H) à l'envers de sorte que la vis (1) s'étende vers le haut.
- Faites glisser la cale de la base d'arrêt réglable (I) sur la vis (1) en positionnant le côté bridé de la cale de la base d'arrêt réglable (I) vers le haut.

**Remarque** La cale de la base d'arrêt réglable (I) doit affleurer la base d'arrêt réglable (H). Si ce n'est pas le cas, faites tourner la cale de la base d'arrêt réglable (I) à 90 degrés.

- Placez l'écrou d'arrêt carré réglable (J) sur la vis (1); puis tournez le bouton d'arrêt réglable (G) jusqu'à ce que vous ayez serré à la main l'écrou d'arrêt carré réglable (J).



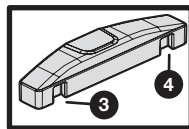
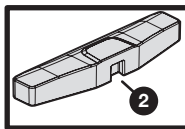
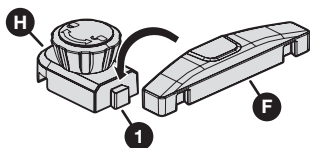


## 2 Fixation du bras d'arrêt réglable à la base d'arrêt réglable

Faites glisser l'une des encoches du bras d'arrêt réglable (F) vers le bas, sur la languette (1) de la base d'arrêt réglable (H) jusqu'à ce que le bras d'arrêt réglable (F) soit complètement en place sur la languette (1).

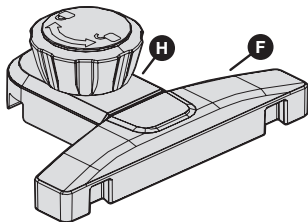
**Remarque** Le bras d'arrêt réglable (F) comporte trois encoches : une encoche centrale (2) sur un côté et deux encoches extérieures (3, 4) sur le côté opposé. Utilisez l'encoche appropriée en fonction de la configuration que vous souhaitez donner à l'arrêt réglable.

**Remarque** Pour modifier la configuration de l'arrêt réglable, soulevez le bras d'arrêt réglable (F) de la base d'arrêt réglable (H). Ensuite, faites glisser une autre encoche du bras d'arrêt réglable (F) sur la languette (1) de la base d'arrêt réglable (H).



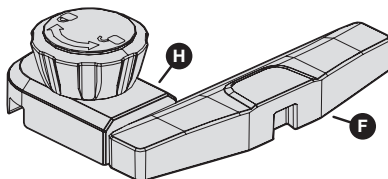
### Configuration centrée

Utilisez l'encoche centrale du bras (2)



### Configuration latérale

Utilisez l'une des encoches extérieures du bras (3, 4), de sorte que le bras (F) s'étende sur un côté de la base (H)



# Fonctionnement – Pliage des ailes de support pour le matériau

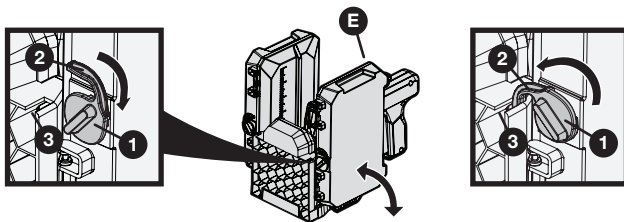
Vous pouvez replier les ailes de support en position verticale pour gagner de la place lorsque le gabarit n'est pas utilisé, ou pour faciliter le déplacement du gabarit d'un endroit à l'autre. Rabattez toujours les ailes de support avant d'utiliser le gabarit.

## Pour replier les ailes de support :

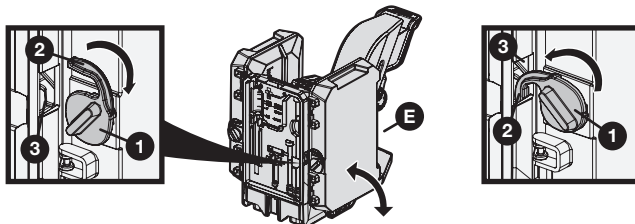
- Pliez l'aile de support (E) en position verticale.
- Faites pivoter le verrou de l'aile (1) vers l'intérieur jusqu'à ce que le loquet (2) s'engage dans l'encoche correspondante :
  - Dans le cas du gabarit série 500, l'encoche (3) est située sur le côté de l'arrière de la base de la station (A).
  - Dans le cas du gabarit série 700, l'encoche (3) est située sur le côté du gabarit.
- Répétez ce processus pour l'aile de support (E) se trouvant du côté opposé du gabarit.

## Pour rabattre les ailes de support :

- Faites pivoter le verrou de l'aile (1) vers l'extérieur jusqu'à ce que le loquet (2) se retire de l'encoche :
  - Dans le cas du gabarit série 500, l'encoche (3) est située sur le côté de la base de la station (A).
  - Dans le cas du gabarit série 700, l'encoche (3) est située sur le côté du gabarit.
- Rabattez l'aile de support (E) en position horizontale.
- Répétez ce processus pour l'aile de support (E) se trouvant du côté opposé du gabarit.



Comment plier l'aile de support d'un gabarit série 500



Comment plier l'aile de support d'un gabarit série 700

# Fonctionnement – Utilisation de l'arrêt réglable

L'arrêt réglable vous permet de percer des trous à angle sur des pièces similaires à un rythme plus rapide.

**Remarque** L'arrêt réglable doit être assemblé. Consultez la section **Assemblage : Arrêt réglable** à la page 28.

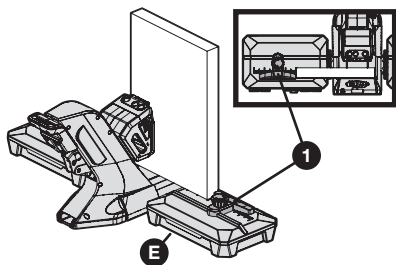
## 1 Mettez en place l'arrêt réglable

Si nécessaire, modifiez la configuration de l'arrêt réglable pour tenir compte de la taille et de l'orientation de votre pièce dans le gabarit :

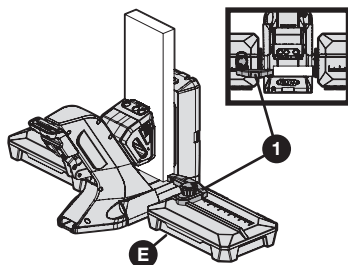
- **Pièce de travail large** : si la pièce est suffisamment large pour s'étendre sur le dessus d'une aile de support (E), utilisez l'arrêt réglable (1) dans sa configuration *centrée*.
- **Pièce de travail étroite** : si la pièce ne s'étend pas à travers l'espace entre le gabarit et l'aile de support (E), utilisez l'arrêt (1) réglable dans sa configuration *latérale*.

**Remarque** Pour une configuration latérale, utilisez l'encoche extérieure du bras d'arrêt réglable, celle qui sera la plus éloignée du gabarit après avoir placé l'arrêt réglable (1) sur une aile de support (E).

**Remarque** Pour obtenir des instructions sur les modifications pouvant être faites à la configuration, voir la section **Fixation du bras d'arrêt réglable à la base d'arrêt réglable** à la page 29.



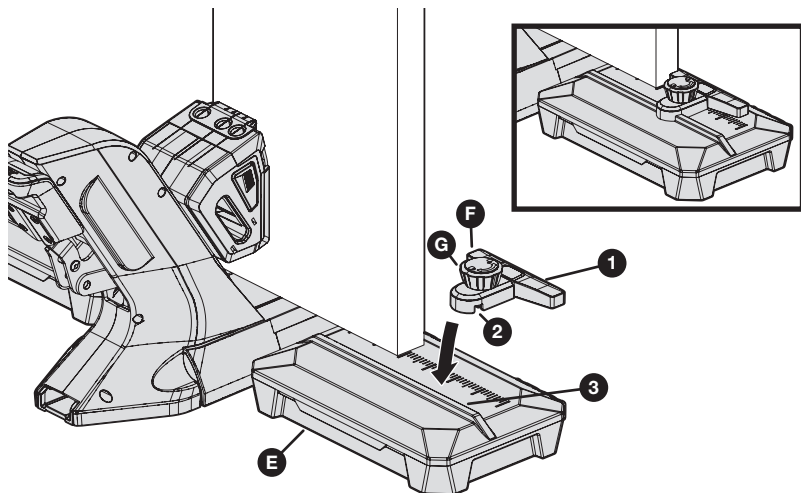
Arrêt réglable (1) en configuration centrée pour les pièces larges



Arrêt réglable (1) en configuration latérale pour les pièces étroites

## 2 Placez l'arrêt réglable en position

- a. Une fois que l'arrêt réglable (1) est configuré comme vous le souhaitez, placez l'arrêt réglable (1) sur le couvercle d'une aile de support (E), de manière à ce que :
  - Le bord du bras d'arrêt réglable (F) repose bien contre la pièce.
  - L'encoche (2) sur la face inférieure de la base d'arrêt réglable s'adapte sur le rail (3) qui traverse le couvercle de l'aile de support (E).
- b. Tournez le bouton d'arrêt réglable (G) dans le sens des aiguilles d'une montre jusqu'à ce qu'il soit bien serré pour fixer l'arrêt réglable (1) en position.



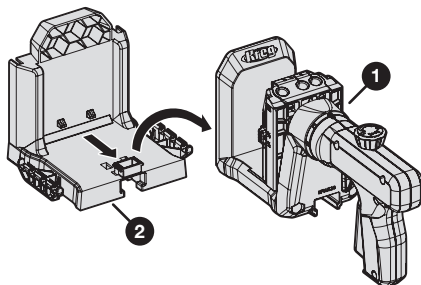
**Remarque** Pour repositionner ou retirer l'arrêt réglable (1), tournez le bouton d'arrêt réglable (G) dans le sens inverse des aiguilles d'une montre pour le desserrer. Ensuite, faites glisser l'arrêt réglable (1) vers une nouvelle position le long du rail (3) ou soulevez-la de l'aile de support (E).

## Retrait du gabarit de la station d'accueil

Si vous souhaitez utiliser le gabarit sans la station d'accueil, vous pouvez l'enlever de la station d'accueil.

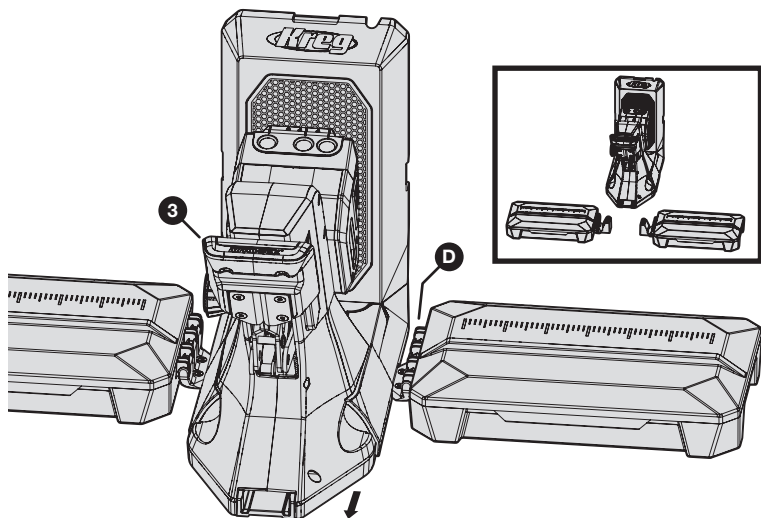
### Retrait d'un gabarit série 500 de Kreg

Saisissez fermement le gabarit (1) et tirez-le vers vous pour le faire glisser hors de la base de la station (2).



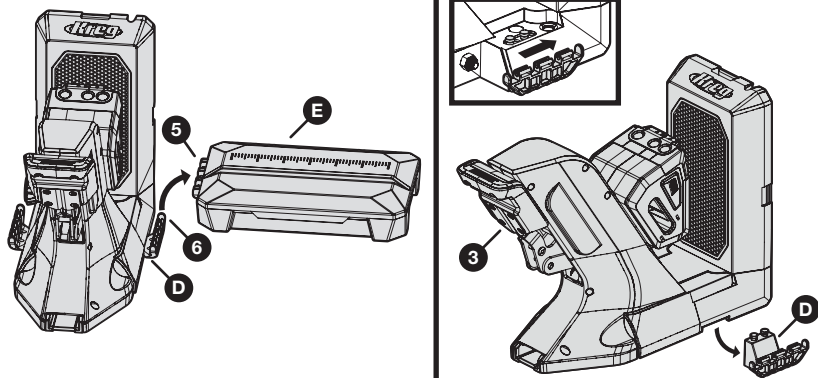
### Retrait d'un gabarit série 700 de Kreg à partir d'une station d'accueil fixée

En alignant la poignée du gabarit (3) vers vous, faites glisser le gabarit vers vous jusqu'à ce qu'il se détache des adaptateurs de la station (D). Ensuite, soulevez le gabarit des adaptateurs (D).



## Retrait d'un gabarit série 700 de Kreg à partir d'une station d'accueil qui n'est pas fixée

- a. Détachez chaque aile de support (E) :
  1. Saisissez l'aile de support (E) près de l'endroit où elle est reliée à l'adaptateur de station (D).
  2. Soulevez doucement l'aile de support (E) pour que le connecteur de l'aile de support (5) sorte du connecteur de l'adaptateur de station (6).
- b. Retirez l'adaptateur de station (D) de chaque côté du gabarit :
  1. Soulevez légèrement ce côté du gabarit de la surface de travail.
  2. Orientez la poignée du gabarit (3) vers vous, faites glisser l'adaptateur de station (D) pour l'éloigner de vous jusqu'à ce qu'il se dégage de la fente située sous le gabarit.
  3. Retirez l'adaptateur de station (D) de la face inférieure du gabarit.



## Entretien et nettoyage

Nettoyez périodiquement la station en aspirant les copeaux et la poussière de bois.

Utilisez un chiffon humide pour essuyer les surfaces antidérapantes SureGrip™ afin d'enlever la poussière et les débris.





## **EXPLORER. CONSTRUIRE. PARTAGER.**

Nous sommes des artisans comme vous.  
C'est pourquoi nous aimons voir ce sur quoi vous travaillez.  
Montrez-le à la communauté et laissez-vous inspirer!

**#madewithKreg**

Obtenez des plans gratuits, des ressources pour  
vos projets et plus encore.

*[kregtool.com](http://kregtool.com) et [buildsomething.com](http://buildsomething.com)*

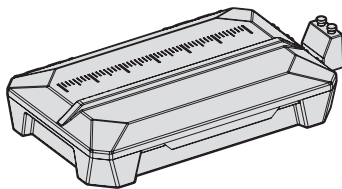
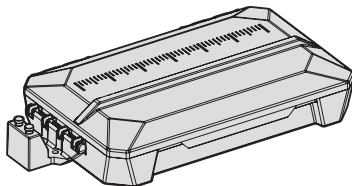
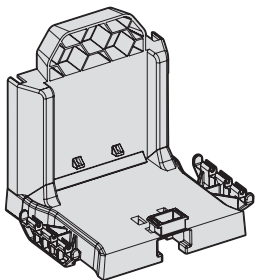


# MANUAL DEL PROPIETARIO



## Estación de encastre para guía para agujeros ocultos KPHA750

Para usar con guías para agujeros ocultos Kreg Serie 500 y Serie 700



**ADVERTENCIA** Todos los usuarios deben leer y seguir las instrucciones y precauciones de seguridad de este manual. De lo contrario, podrían producirse lesiones graves. Guarde el manual para referencia futura.

### Estamos aquí para ayudar.

Queremos que tenga una experiencia excepcional en la construcción de proyectos.

Póngase en contacto con nosotros si tiene preguntas o necesita ayuda.

1-800-447-8638 | [technicalsupport@kregtool.com](mailto:technicalsupport@kregtool.com)

### Cuéntenos su experiencia.

Su opinión es importante. Y siempre estamos buscando formas para mejorar.

Comparta sus comentarios para que podamos seguir creciendo e innovando para usted.

[www.kregtool.com/feedback](http://www.kregtool.com/feedback)

# Índice

Precauciones de seguridad . . . . .	.38	Ensamblaje: Retén ajustable . . . . .	.46
Preensamblaje . . . . .	.39	Funcionamiento: Plegado de las alas de soporte del material . . . . .	.48
Herramientas recomendadas (no incluidas) . . . . .	.39	Funcionamiento: Uso del retén ajustable	49
Descripción del producto . . . . .	.39	Quitar la guía de la estación de encastre	51
Ensamblaje: Para la guía Serie 500 . . . . .	.40	Cuidado y limpieza . . . . .	.52
Ensamblaje: Para la guía Serie 700 . . . . .	.43		

## Precauciones de seguridad

**ADVERTENCIA** Antes de usar una herramienta eléctrica con este producto, lea y siga las instrucciones y precauciones de seguridad del fabricante de la herramienta además de las precauciones de seguridad que se muestran a continuación para reducir el riesgo de lesiones graves por peligros tales como incendios, descargas eléctricas o una broca giratoria.

- Siempre use el equipo de protección personal recomendado por el fabricante de la herramienta eléctrica que esté utilizando, como protección ocular, auditiva o respiratoria.
- La broca es filosa. Manipúlela con cuidado.
- No permita que la familiaridad obtenida del uso frecuente de sus herramientas reemplace las prácticas de seguridad laboral. Un momento de descuido es suficiente para causar lesiones graves.
- Evite las posiciones incómodas de las manos donde un deslizamiento repentino podría causar contacto con la broca giratoria.
- Cuando taladre, asegúrese siempre de que la pieza de trabajo esté bien sujeta. Es peligroso sostener la pieza de trabajo con la mano.

**ADVERTENCIA** No opere esta herramienta ni ninguna maquinaria bajo la influencia de drogas, alcohol o medicamentos.

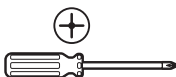
**ADVERTENCIA** Este producto podría exponerlo a productos químicos, incluidos el acrilonitrilo y otros compuestos químicos, que el estado de California conoce como causantes del cáncer y daños reproductivos. Para obtener más información, visite [www.P65Warnings.ca.gov](http://www.P65Warnings.ca.gov).

# Preensamblaje

Revise esta sección antes de comenzar. Asegúrese de tener todas las herramientas y materiales a mano. Verifique el contenido con los artículos enumerados en las secciones de Herramientas recomendadas y Descripción del producto. Si falta algún artículo o está extraviado, no use este producto. Póngase en contacto con el Soporte técnico o devuelva el producto al lugar de compra.

## Herramientas recomendadas (no incluidas)

Ensamblaje del encastre para su uso con la guía Serie 500:

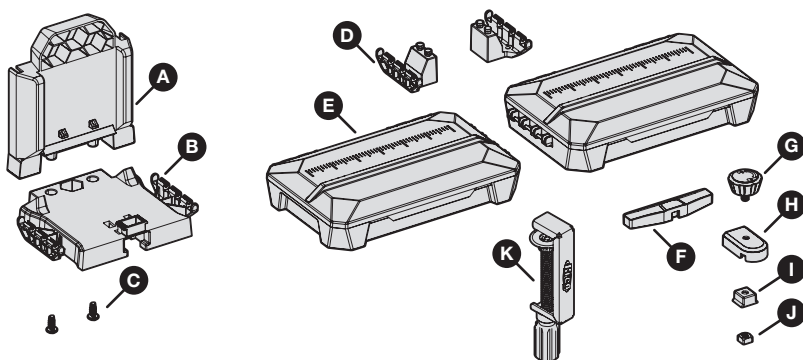


Destornillador Phillips No. 2

Ensamblaje del encastre para su uso con la guía Serie 700:

No se requieren herramientas.

## Descripción del producto



Pieza	Descripción
A	Respaldo de la base de encastre para la guía Serie 500
B	Plataforma de la base de encastre para la guía Serie 500
C	Tornillos (2) de la base de encastre para la guía Serie 500
D	Adaptadores de encastre para la guía Serie 700 (2)
E	Alas de soporte del material (2)

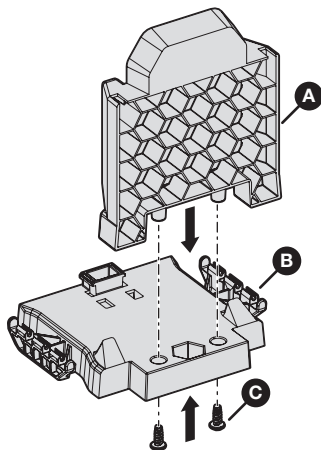
Pieza	Descripción
F	Brazo del retén ajustable
G	Perilla del retén ajustable
H	Base del retén ajustable
I	Calce de la base del retén ajustable
J	Tuerca cuadrada del retén ajustable
K	Abrazadera de guía para agujeros ocultos KPHA760

# Ensamblaje: Para la guía Serie 500

Esta sección describe cómo ensamblar la Estación de encastrado de guía para agujeros ocultos KPHA750 para su uso con una guía Kreg Serie 500.

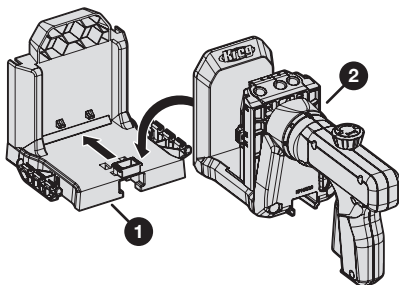
## 1 Ensamblar la base de encastrado

- Quite los dos tornillos (C) adheridos a la plataforma de la base de encastrado (B).
- Inserte el respaldo de la base de encastrado (A) en la plataforma de la base de encastrado (B):
  - El lado de panel de abeja del respaldo de la base de encastrado (A) está orientado en sentido opuesto a la plataforma de la base de encastrado (B).
  - Los dos conectores que sobresalen de la parte inferior del respaldo de la base de encastrado (A) se acoplan en los orificios correspondientes en la plataforma de la base de encastrado (B).
- Para cada conector: Inserte un tornillo (C) en el conector desde el lado inferior de la plataforma de la base de encastrado (B); luego use un destornillador Phillips No. 2 para apretar el tornillo (C).



## 2 Conecte la guía Serie 500 a la base de encastrado

- Coloque la base de encastrado (1) ensamblada sobre una superficie plana.
- Deslice la guía Serie 500 (2) sobre la base de encastrado hasta que la guía (2) llegue a la base de encastrado (1) ensamblada y encaje en su posición.



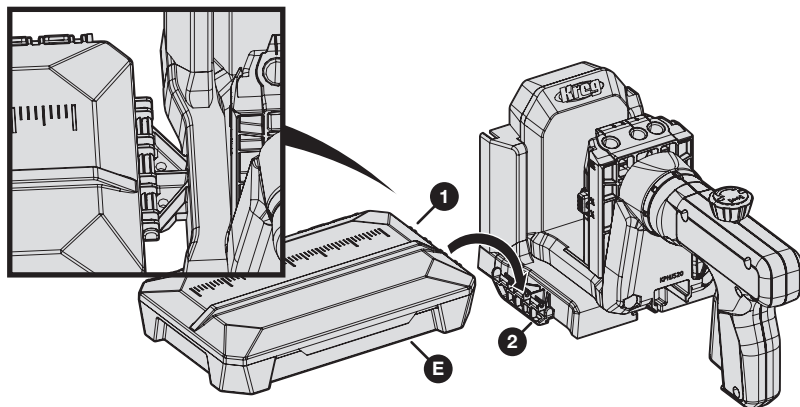
### 3 Conectar las alas de soporte del material a la base de encastre

**Consejo** Las alas de soporte del material también sirven como cajas de almacenamiento.

- Sostenga un ala de soporte del material (E) con el lado derecho hacia arriba (de modo que la tapa de la caja de almacenamiento esté orientada hacia arriba y abra en dirección opuesta a usted).
- Alinee el conector (1) en el lado del ala de soporte del material (E) con el conector (2) en el lateral de la base de encastre; luego presione el ala de soporte del material (E) hacia abajo con firmeza de modo que los conectores encajen entre sí.

**Nota** Las barras del conector del ala de soporte del material (1) encajan en las ranuras del conector de la base de encastre (2).

- Repita estos pasos para conectar la otra ala de soporte del material (E) al conector (2) en el lado opuesto de la base de encastre.

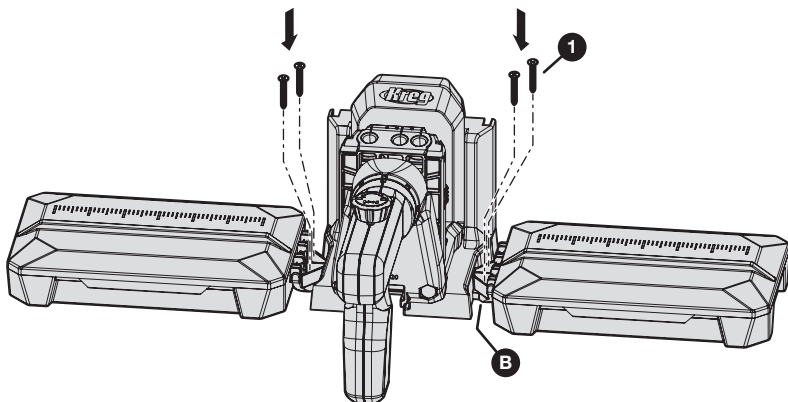
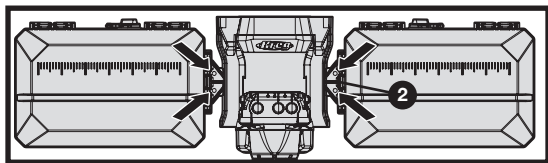


## 4 Opcional: Montar la base de encastre a una superficie de trabajo

Si lo desea, puede montar la base de encastre a su superficie de trabajo para ofrecer una mayor estabilidad.

- Coloque la estación de encastre ensamblada (con o sin la guía Serie 500 fijada) en la posición deseada sobre su mesa de trabajo.
- Inserte un tornillo para agujeros ocultos (1) Kreg a través de los cuatro orificios de montaje (2) en la plataforma de la base de encastre (B).

**Nota** Puede usar tornillos Kreg SML-C125 o cualquier otro tornillo para agujeros ocultos Kreg.



# Ensamblaje: Para la guía Serie 700

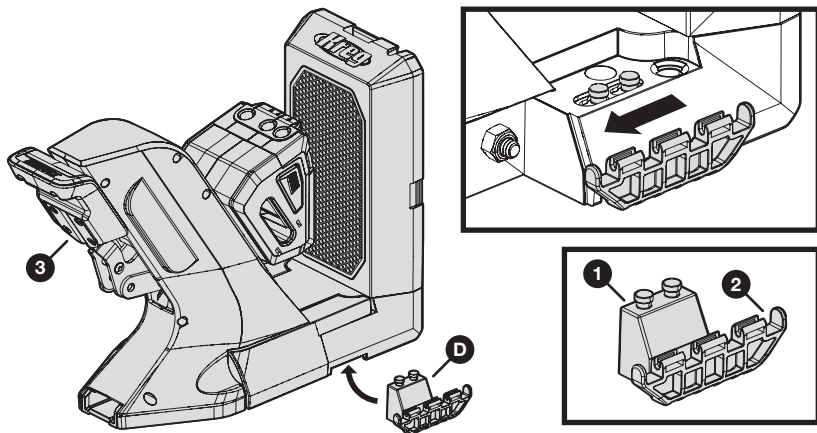
Esta sección describe cómo ensamblar la Estación de encastre de guía para agujeros ocultos KPHA750 para su uso con una guía Serie 700.

## 1 Conecte los adaptadores de encastre a la guía Serie 700

- Coloque la guía Serie 700 sobre una superficie plana.
- Con una mano, levante ligeramente un lado de la guía Serie 700.
- Con la otra mano, coloque un adaptador de encastre (D) debajo de la guía de modo que los pasadores de fijación (1) encajen en el orificio correspondiente en el lado inferior de la guía; luego deslice el adaptador de encastre (D) hacia la manija de la guía (3) para trabar el adaptador del encastre (D) en posición.

**Nota** Un lado de los adaptadores de encastre (D) tiene pasadores de fijación (1) que encajan por debajo de la guía; el otro lado tiene un conector (2) para un ala de soporte del material (no ilustrado). Asegúrese de que el lado del conector del ala (2) del adaptador de encastre (D) se extienda por el lado de la guía.

- Repita los pasos b y c para conectar el otro adaptador de encastre (D) en el lado opuesto de la guía.



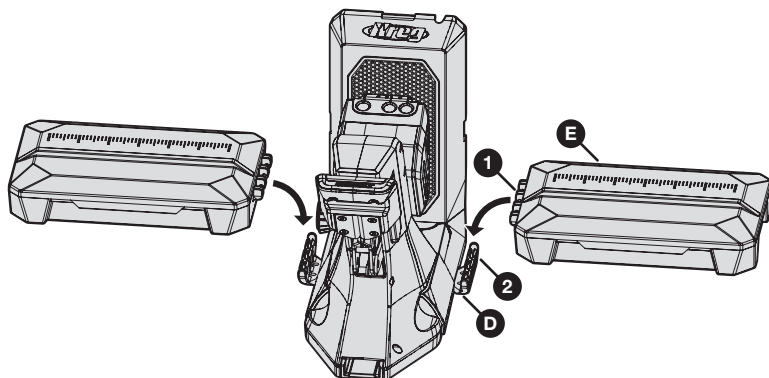
## 2 Conectar las alas de soporte del material a los adaptadores de encastre

**Consejo** Las alas de soporte del material también sirven como cajas de almacenamiento.

- Sostenga un ala de soporte del material (E) con el lado derecho hacia arriba (de modo que la tapa de la caja de almacenamiento esté orientada hacia arriba y abra en dirección opuesta a usted).
- Alinee el conector (1) en el lado del ala de soporte del material (E) con el conector (2) en el adaptador de encastre (D) que se extiende del lado de la guía; luego presione el ala de soporte del material (E) hacia abajo con firmeza de modo que los conectores encajen entre sí.

**Nota** Las barras del conector de ala de soporte del material (1) encajan en las ranuras del conector del adaptador de encastre (2).

- Repita estos pasos para conectar la otra ala de soporte del material (E) al adaptador de encastre (D) en el lado opuesto de la guía.



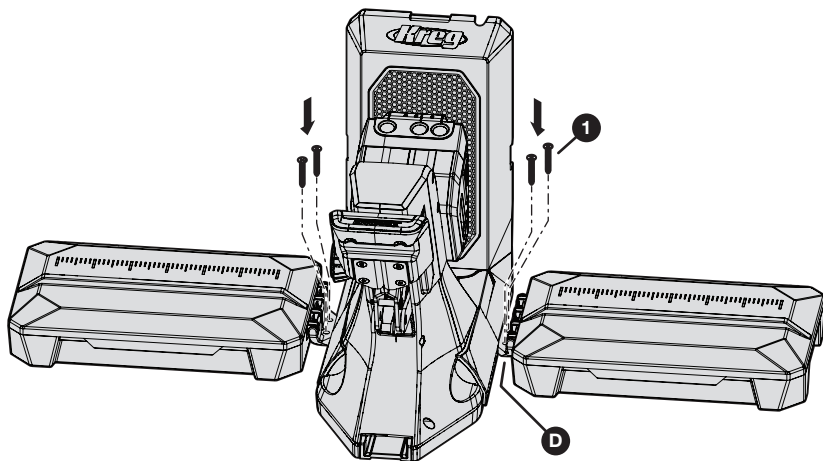
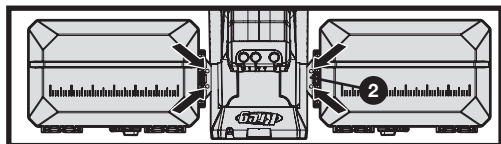


### 3 Opcional: Monte los adaptadores de encastre a una superficie de trabajo

Si lo desea, puede montar los adaptadores de encastre a su superficie de trabajo para ofrecer una mayor estabilidad.

- Coloque la estación de encastre (con la guía Serie 700 fijada) en la posición deseada sobre su mesa de trabajo.
- Inserte un tornillo para agujeros ocultos (1) Kreg a través de los cuatro orificios de montaje en los adaptadores de encastre (D).

**Nota** Puede usar tornillos Kreg SML-C125 o cualquier otro tornillo para agujeros ocultos Kreg.



# Ensamblaje: Retén ajustable

La estación de encastrado incluye un retén ajustable que se puede fijar a cualquier ala de soporte del material. El retén ajustable facilita obtener los mismos resultados cuando tiene muchas piezas que requieren el mismo espaciado entre los agujeros ocultos.

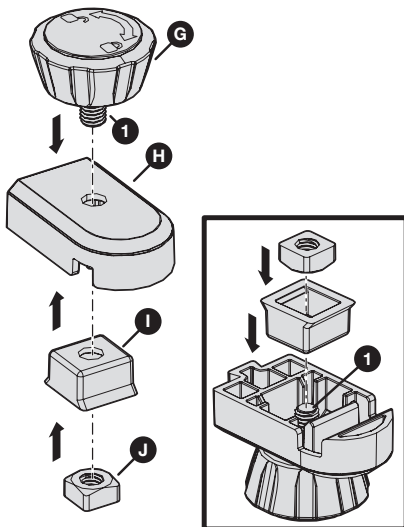
**Nota** El retén ajustable tiene dos piezas: la base del retén ajustable, la cual ensamblará en el paso 1; y el brazo del retén ajustable, que se puede fijar a la base del retén ajustable en diferentes configuraciones (consulte el paso 2).

## 1 Ensamblar la base del retén ajustable

- Inserte el tornillo (1) de la perilla del retén ajustable (G) en el orificio encima de la base del retén ajustable (H).
- Mientras sostiene la perilla del retén ajustable (G) en posición, coloque la base del retén ajustable (H) boca abajo de modo que el tornillo (1) se extienda hacia arriba.
- Deje caer el calce de la base del retén ajustable (I) por el tornillo (1) con el lado del reborde del calce de la base del retén ajustable (I) hacia arriba.

**Nota** El calce de la base del retén ajustable (I) debe estar a ras de la base del retén ajustable (H). Si no está a ras, gire el calce de la base del retén ajustable (I) 90 grados.

- Coloque la tuerca cuadrada del retén ajustable (J) en el tornillo (1); luego gire la perilla del retén ajustable (G) hasta que la tuerca cuadrada del retén ajustable (J) esté lo más ajustada que se pueda a mano.

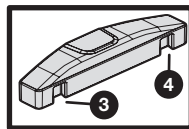
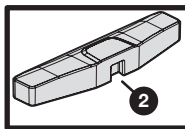
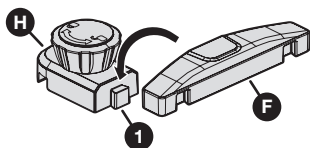


## 2 Fijar el brazo del retén ajustable a la base del retén ajustable

Deslice una muesca del brazo del retén ajustable (F) hacia abajo por la pestaña (1) en la base del retén ajustable (H) hasta que el brazo del retén ajustable (F) esté bien asentado en la pestaña (1).

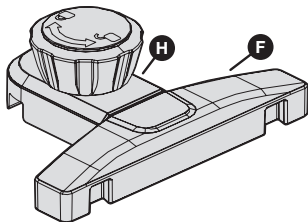
**Nota** El brazo del retén ajustable (F) tiene tres muescas: una muesca central (2) en un lado y dos muescas exteriores (3, 4) en el lado opuesto. Use la muesca adecuada en función de cómo quiere configurar el retén ajustable.

**Nota** Para cambiar la configuración del retén ajustable, levante el brazo del retén ajustable (F) de la base del retén ajustable (H). Luego deslice otra muesca del brazo del retén ajustable (F) sobre la pestaña (1) en la base del retén ajustable (H).



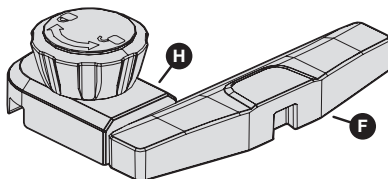
### Configuración centrada

Use la muesca central (2) del brazo



### Configuración lateral

Use cualquiera de las muescas externas (3, 4) del brazo de modo que el brazo (F) se extienda de un lado de la base (H)



# Funcionamiento: Plegado de las alas de soporte del material

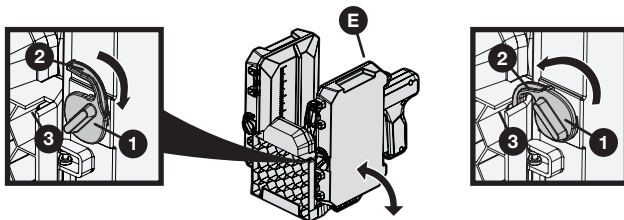
Puede plegar las alas de soporte del material en posición vertical para ahorrar espacio cuando no se está usando la guía, o para facilitar mover la guía de un lugar a otro. Siempre despliegue las alas de soporte del material antes de usar la guía.

## Para plegar hacia arriba las alas de soporte del material:

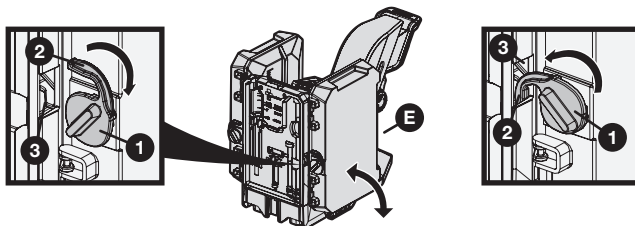
- Pliegue el ala de soporte del material (E) hacia arriba en posición vertical.
- Rote la traba del ala (1) hacia adentro hasta que el pestillo (2) se encastre en la muesca correspondiente:
  - En una guía Serie 500, la muesca (3) se encuentra en el lateral del respaldo de la base de encastre (A).
  - En una guía Serie 700, la muesca (3) se encuentra en el lateral de la guía.
- Repita este proceso con el ala de soporte del material (E) del lado opuesto de la guía.

## Para desplegar las alas de soporte del material:

- Rote la traba del ala (1) hacia afuera hasta que el pestillo (2) se desenganche de la muesca correspondiente:
  - En una guía Serie 500, la muesca (3) se encuentra en el lateral de la base de encastre (A).
  - En una guía Serie 700, la muesca (3) se encuentra en el lateral de la guía.
- Despliegue el ala de soporte del material (E) a la posición horizontal.
- Repita este proceso con el ala de soporte del material (E) del lado opuesto de la guía.



Plegado de las alas de soporte del material en una guía Serie 500



Plegado de las alas de soporte del material en una guía Serie 700

# Funcionamiento: Uso del retén ajustable

El retén ajustable le permite taladrar agujeros ocultos en piezas de trabajo similares a un ritmo más rápido.

**Nota** El retén ajustable debe estar ensamblado. Consulte **Ensamblaje: Retén ajustable** en la página 46.

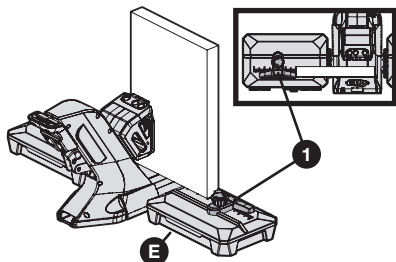
## 1 Configuración del retén ajustable

De ser necesario, cambie la configuración del retén ajustable para que se adapte al tamaño y orientación de la pieza de trabajo en la guía:

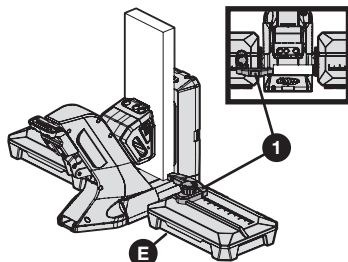
- **Pieza de trabajo ancha:** Si la pieza de trabajo es lo suficientemente ancha como para que se extienda por encima de un ala de soporte del material (E), use el retén ajustable (1) en la configuración *centrada*.
- **Pieza de trabajo estrecha:** Si la pieza de trabajo no se extiende por encima del espacio entre la guía y el ala de soporte del material (E), use el retén ajustable (1) en la configuración *lateral*.

**Nota** Para una configuración lateral, use cualquiera de las muescas externas en el brazo del retén ajustable que esté más lejos de la guía después de colocar el retén ajustable (1) en un ala de soporte del material (E).

**Nota** Para ver las instrucciones sobre cómo cambiar la configuración, consulte **Fijar el brazo del retén ajustable a la base del retén ajustable** en la página 47.



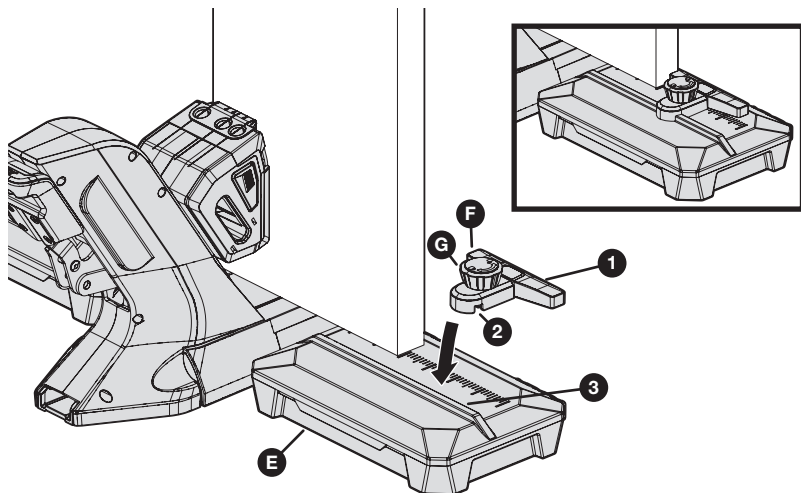
El retén ajustable (1) está en configuración centrada para una pieza de trabajo ancha



El retén ajustable (1) está en configuración lateral para una pieza de trabajo estrecha

## 2 Colocar el retén ajustable en posición

- a. Con el retén ajustable (1) configurado de la manera que desea, coloque el retén ajustable (1) sobre la tapa de un ala de soporte del material (E) de modo que:
  - El borde del brazo del retén ajustable (F) se apoye bien sobre la pieza de trabajo.
  - La muesca (2) en el lado inferior de la base del retén ajustable encaja sobre el riel (3) que atraviesa la tapa del ala de soporte del material (E).
- b. Gire la perilla del retén ajustable (G) en sentido horario hasta que esté apretado para fijar el retén ajustable (1) en posición.



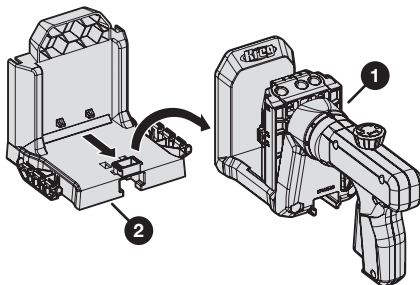
**Nota** Para mover o quitar el retén ajustable (1), gire la perilla del retén ajustable (G) en sentido antihorario para aflojarlo. Luego deslice el retén ajustable (1) a otra posición sobre el riel (3) o levántelo del ala de soporte del material (E).

## Quitar la guía de la estación de encastre

Si desea usar la guía sin la estación de encastre, puede quitarla de esta.

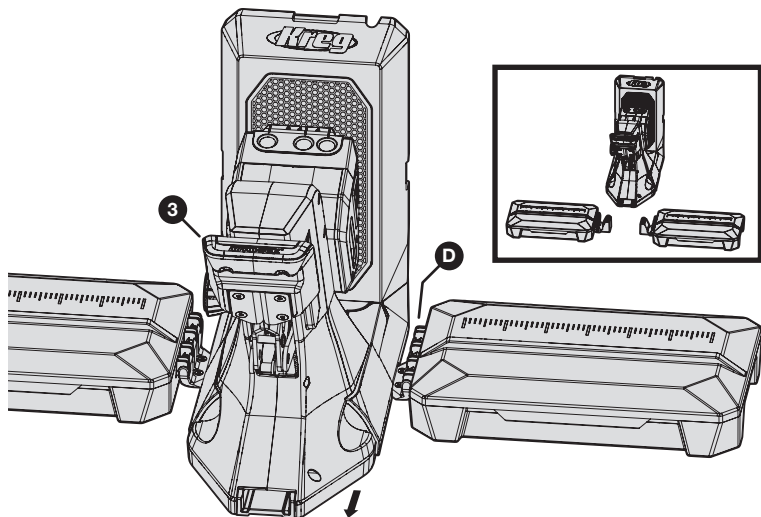
### Quitar una guía Kreg Serie 500

Tome la guía (1) con firmeza y hálala hacia usted para sacarla de la base de encastre (2).



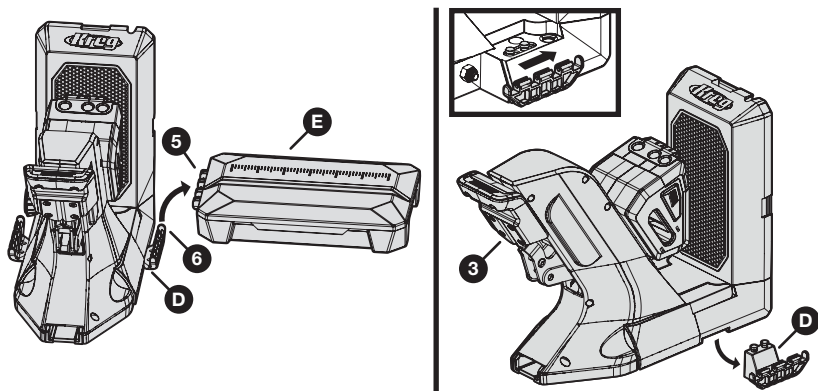
### Quitar una guía Kreg Serie 700 de una estación de encastre montada

Con la manija de la guía (3) orientada hacia usted, deslice la guía hacia usted hasta que se desenganche de los adaptadores de encastre (D). Luego levante la guía de los adaptadores de encastre (D).



## Quitar una guía Kreg Serie 700 de una estación de encastre sin montar

- a. Quite cada ala de soporte del material (E):
  1. Tome el ala de soporte del material (E) de cerca de donde se conecta al adaptador de encastre (D).
  2. Levante con suavidad el ala de soporte del material (E) de modo que el conector de ala de soporte del material (5) sobresalga del conector del adaptador de encastre (6).
- b. Quite el adaptador de encastre (D) de cada lado de la guía:
  1. Levante ligeramente ese lado de la guía de la superficie de trabajo.
  2. Con la manija de la guía (3) orientada hacia usted, deslice el adaptador de encastre (D) en dirección opuesta a usted hasta que se desenganche de la ranura en la parte inferior de la guía.
  3. Hale el adaptador de encastre (D) de la parte inferior de la guía.



## Cuidado y limpieza

Limpie con una aspiradora el encastre con frecuencia para eliminar las virutas y el aserrín.

Use un paño húmedo para quitar las virutas y el aserrín de las superficies de las almohadillas antideslizantes SureGrip™.







## **EXPLORAR. CONSTRUIR. COMPARTIR.**

Somos creadores al igual que usted.  
Por eso nos encanta ver en lo que está trabajando.  
¡Comparta con la comunidad e inspírese!

**#madewithKreg**

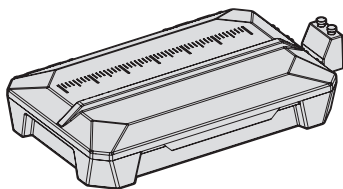
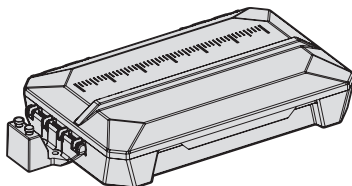
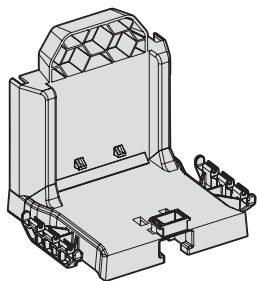
Obtenga planos gratuitos, recursos para proyectos y más.  
*[kregtool.com](http://kregtool.com) y [buildsomething.com](http://buildsomething.com)*

# GUIDE D'UTILISATION



## Station d'accueil de gabarit de trou de poche KPHA750

Pour utilisation avec des gabarits de trou de poche Kreg série 500 et série 700



**AVERTISSEMENT** Tous les utilisateurs doivent lire et suivre les instructions et les précautions de sécurité de ce guide. Le non-respect de ces consignes peut entraîner des blessures graves. Conservez ce guide afin de pouvoir le consulter ultérieurement.

### **Nous sommes là pour vous aider.**

Nous voulons que votre expérience de projet de construction soit exceptionnelle.

Si vous avez des questions ou avez besoin d'aide, veuillez nous contacter.

1-800-447-8638 | [technicalsupport@kregtool.com](mailto:technicalsupport@kregtool.com)

### **Parlez-nous de votre expérience.**

Votre opinion compte et nous cherchons toujours à nous améliorer.

Faites-nous part de vos commentaires pour que nous puissions continuer à grandir et à innover pour vous.

[www.kregtool.com/feedback](http://www.kregtool.com/feedback)

# Table des matières

Consignes de sécurité . . . . .	.56	Utilisation - Pliage des ailettes de maintien du matériau . . . . .	.66
Avant le montage . . . . .	.57	Utilisation - Mode d'emploi de la butée réglable . . . . .	.67
Outils recommandés (non fournis) . . . . .	.57	Retrait du gabarit de la station d'accueil . . . . .	.69
Description du produit . . . . .	.57	Entretien et nettoyage . . . . .	.70
Assemblage : pour le gabarit série 500 . . . . .	.58		
Assemblage : pour le gabarit série 700 . . . . .	.61		
Assemblage : butée réglable . . . . .	.64		

## Consignes de sécurité

**AVERTISSEMENT** Avant d'utiliser un outil électrique avec ce produit, lisez et suivez les instructions du fabricant de cet outil et les consignes de sécurité, en plus des précautions ci-dessous, pour réduire le risque de blessures graves que peuvent entraîner un incendie, un choc électrique ou une mèche de perceuse en rotation.

- Portez toujours les équipements de protection individuelle recommandés par le fabricant de l'outil électrique que vous utilisez, notamment une protection oculaire, auditive ou respiratoire.
- La mèche est acérée. Manipulez-la avec précaution.
- Restez toujours sur vos gardes et suivez les principes de sécurité des outils, même s'il s'agit d'un outil que vous utilisez fréquemment. Un moment d'inattention suffit pour se blesser gravement.
- Évitez de placer les mains à un endroit où elles risquent d'entrer en contact avec la mèche en rotation si la pièce travaillée vient à glisser soudainement.
- En perçant, assurez-vous toujours que la pièce travaillée est solidement fixée dans le serre-joint. Il est dangereux de tenir la pièce travaillée à la main.

**AVERTISSEMENT** N'utilisez pas cet outil ni aucun autre appareil lorsque vous êtes sous l'effet de drogues, d'alcool ou de médicaments.

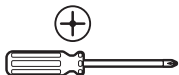
**AVERTISSEMENT** Ce produit peut vous exposer à des produits chimiques, notamment à l'acrylonitrile et d'autres produits chimiques, qui sont reconnus par l'État de la Californie comme étant cancérigènes et toxiques. Pour plus d'informations, consultez [www.P65Warnings.ca.gov](http://www.P65Warnings.ca.gov).

# Avant le montage

Lisez cette section avant de commencer. Assurez-vous d'avoir tous les outils et tout le matériel sous la main. Comparez le contenu de l'emballage avec les listes d'articles dans les sections Outils recommandés et Description du produit. S'il manque un article, n'utilisez pas ce produit. Contactez l'équipe de support technique ou retournez le produit au point d'achat.

## Outils recommandés (non fournis)

Assemblage de la station d'accueil pour une utilisation avec le gabarit série 500 :

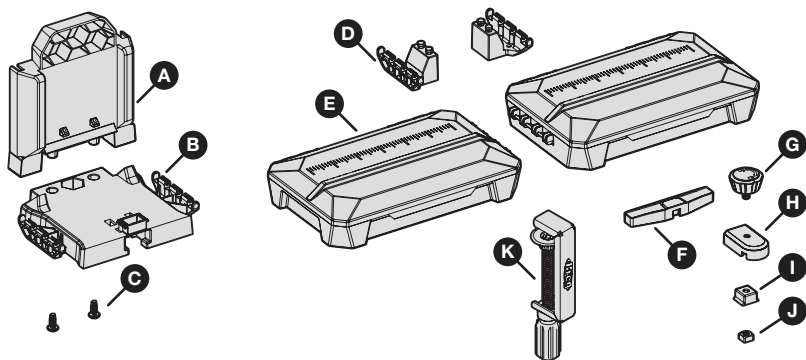


Tournevis cruciforme n°2

Assemblage de la station d'accueil pour une utilisation avec le gabarit série 700 :

Aucun outil n'est requis.

## Description du produit



Pièce	Description
A	Dos de la base de la station d'accueil pour gabarit série 500
B	Plate-forme de la base de la station d'accueil pour gabarit série 500
C	Vis (2) de la base de la station d'accueil pour gabarit série 500
D	Adaptateurs de station d'accueil pour gabarit série 700 (2)
E	Ailettes de maintien du matériau (2)

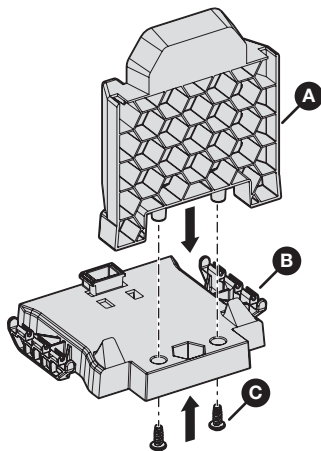
Pièce	Description
F	Bras de butée réglable
G	Bouton de butée réglable
H	Base de butée réglable
I	Coin de base de butée réglable
J	Écrou carré de butée réglable
K	Serre-joint de gabarit de trou de poche KPHA760

# Assemblage : pour le gabarit série 500

Cette section décrit la procédure d'assemblage de la station d'accueil de gabarit de trou de poche KPHA750 à utiliser avec un gabarit Kreg série 500.

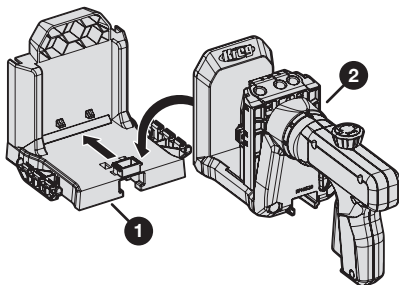
## 1 Assemblage de la base de la station d'accueil

- Enlevez les deux vis (C) scotchées à la plate-forme de la base de la station d'accueil (B).
- Insérez le dos de la base de la station d'accueil (A) dans la plate-forme de la base de la station d'accueil (B) :
  - Le côté nid d'abeilles du dos de la base de la station d'accueil (A) est tourné à l'opposé de la plate-forme de la base de la station d'accueil (B).
  - Les deux connecteurs qui dépassent en dessous du dos de la base de la station d'accueil (A) rentrent dans les trous correspondants de la plate-forme de la base de la station d'accueil (B).
- Pour chaque connecteur : Insérez une vis (C) dans le connecteur par dessous la plate-forme de la base de la station d'accueil (B), puis utilisez un tournevis cruciforme n° 2 pour serrer la vis (C).



## 2 Raccordement du gabarit série 500 à la base de la station d'accueil

- Placez la base de la station d'accueil assemblée (1) sur une surface plane.
- Glissez le gabarit série 500 (2) sur la base de la station d'accueil jusqu'à ce que le gabarit (2) atteigne le dos de la base de la station d'accueil assemblée (1) et s'enclenche en position.



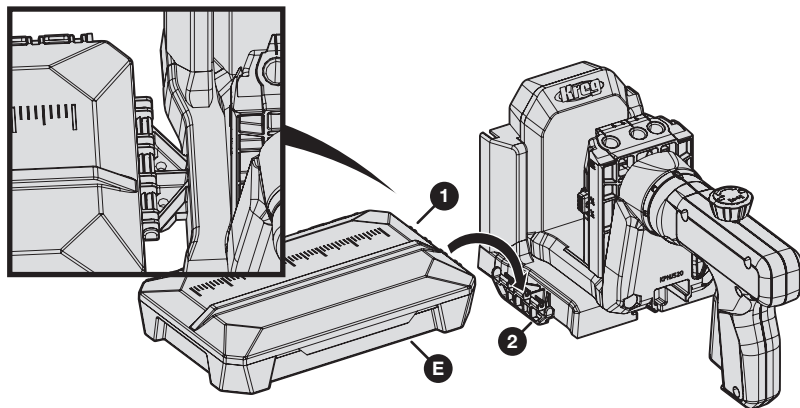
### 3 Raccordement des ailettes de maintien du matériau à la base de la station d'accueil

**Astuce** Les ailettes de maintien du matériau servent aussi de boîtes de rangement.

- Tenez une ailette de maintien du matériau (E) avec le côté droit vers le haut (de manière à ce que le couvercle de la boîte de rangement soit tourné vers le haut et s'ouvre à l'opposé de vous).
- Alignez le connecteur (1) situé sur le côté de l'ailette de maintien du matériau (E) sur le connecteur (2) situé sur le côté de la base de la station d'accueil ; ensuite, appuyez fermement sur l'ailette de maintien du matériau (E) de sorte à enclencher les connecteurs l'un dans l'autre.

**Remarque** Les barres sur le connecteur de l'ailette de maintien du matériau (1) s'enclenchent dans les rainures sur le connecteur de la base de la station d'accueil (2).

- Répétez cette procédure pour connecter l'autre ailette de maintien du matériau (E) au connecteur (2) sur le côté opposé de la base de la station d'accueil.

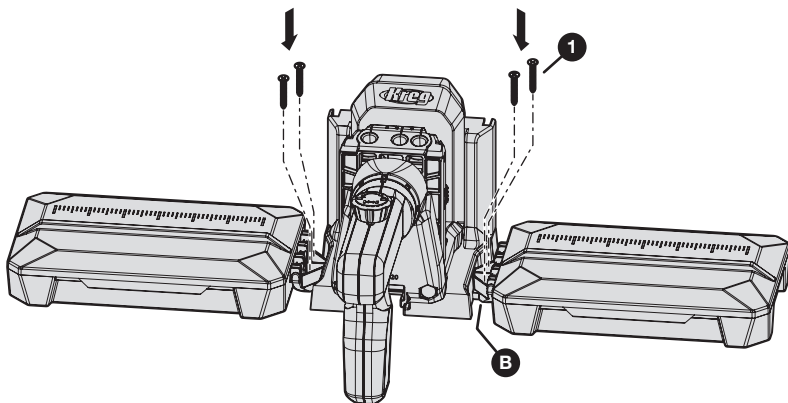
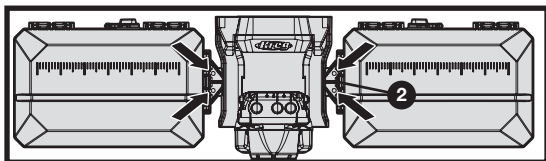


## 4 *Facultatif* : Montage de la base de la station d'accueil sur une surface de travail

Si vous le souhaitez, vous pouvez monter la base de la station d'accueil sur votre surface de travail pour plus de stabilité.

- Placez la station d'accueil assemblée (avec ou sans le gabarit série 500 attaché) dans la position souhaitée sur votre établi.
- Enfilez une vis trou de poche Kreg (1) dans chacun des quatre trous de montage (2) de la plate-forme de la station d'accueil (B).

**Remarque** Vous pouvez utiliser des vis SML-C125 ou toute autre vis trou de poche Kreg.





# Assemblage : pour le gabarit série 700

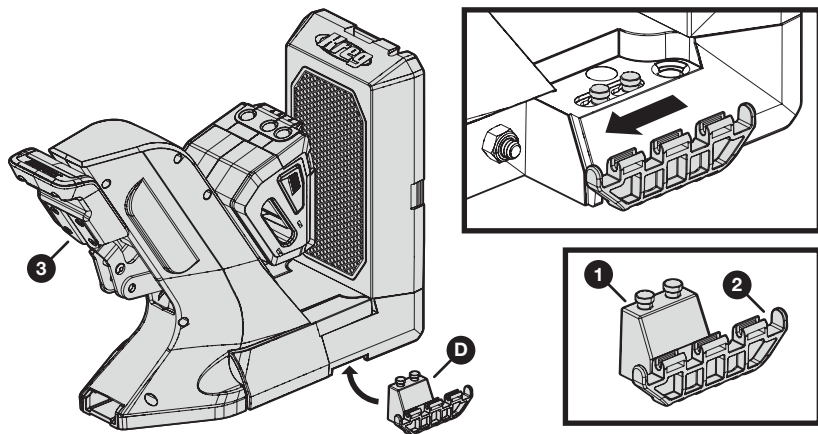
Cette section décrit la procédure d'assemblage de la station d'accueil de gabarit de trou de poche KPHA750 à utiliser avec un gabarit Kreg série 700.

## 1 Raccordement des adaptateurs de la station d'accueil au gabarit série 700

- Placez le gabarit série 700 sur une surface plane.
- Soulevez légèrement d'une main un côté du gabarit série 700.
- De l'autre main, placez un adaptateur de station d'accueil (D) sous le gabarit de manière à ce que les broches de fixation (1) rentrent dans le trou correspondant sous le gabarit ; ensuite, glissez l'adaptateur de station d'accueil (D) vers la poignée du gabarit (3) pour verrouiller l'adaptateur de station d'accueil (D) en position.

**Remarque** Un côté de l'adaptateur de station d'accueil (D) a des broches de fixation (1) qui s'insèrent sous le gabarit ; l'autre côté a un connecteur (2) destiné à une ailette de maintien du matériau (non illustrée). Assurez-vous que le côté connecteur d'ailette (2) de l'adaptateur de station d'accueil (D) dépasse du côté du gabarit.

- Répétez les étapes b et c pour connecter l'autre adaptateur de station d'accueil (D) sur le côté opposé du gabarit.



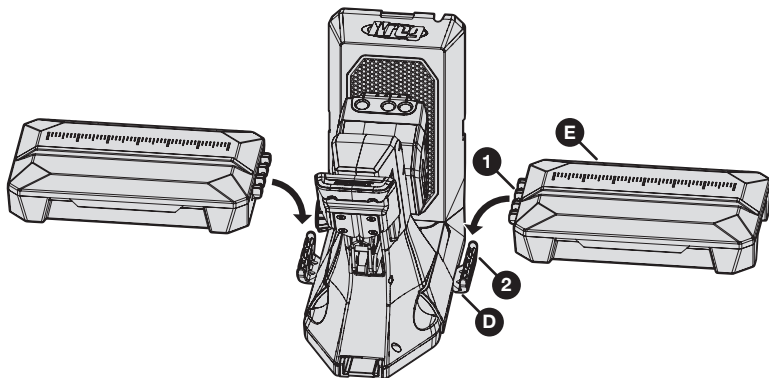
## 2 Raccordement des ailettes de maintien du matériau aux adaptateurs de station d'accueil

**Astuce** Les ailettes de maintien du matériau servent aussi de boîtes de rangement.

- Tenez une ailette de maintien du matériau (E) avec le côté droit vers le haut (de manière à ce que le couvercle de la boîte de rangement soit tourné vers le haut et s'ouvre à l'opposé de vous).
- Alignez le connecteur (1) situé sur le côté de l'ailette de maintien du matériau (E) sur le connecteur (2) de l'adaptateur de station d'accueil (D) qui dépasse sur le côté du gabarit ; ensuite, appuyez fermement sur l'ailette de maintien du matériau (E) de sorte à enclencher les connecteurs l'un dans l'autre.

**Remarque** Les barres sur le connecteur de l'ailette de maintien du matériau (1) s'enclenchent dans les rainures sur le connecteur de l'adaptateur de la station d'accueil (2).

- Répétez cette procédure pour fixer l'autre ailette de maintien de matériau (E) à l'adaptateur de la station d'accueil (D) sur le côté opposé du gabarit.

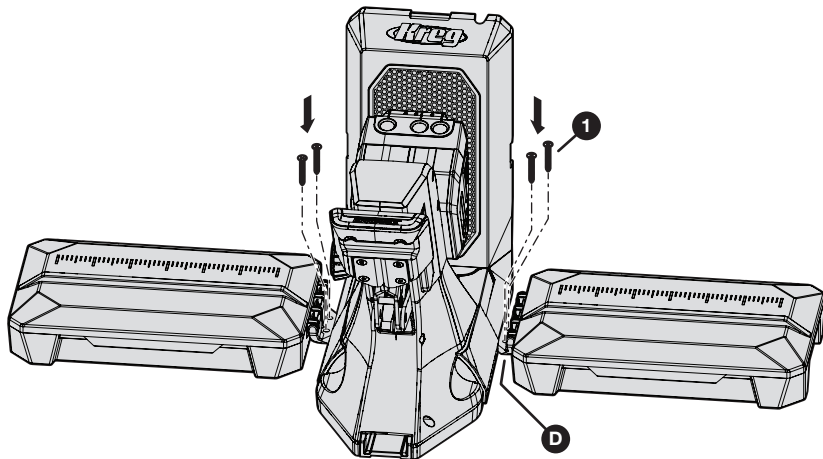
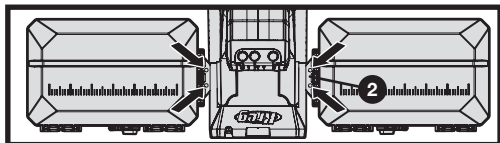


### 3 *Facultatif* : Montage des adaptateurs de la station d'accueil sur une surface de travail

Si vous le souhaitez, vous pouvez monter les adaptateurs de la station d'accueil sur votre surface de travail pour plus de stabilité.

- Placez la station d'accueil (avec le gabarit série 700 attaché) dans la position souhaitée sur votre établi.
- Enfilez une vis trou de poche Kreg (1) dans chacun des quatre trous de fixation (2) des adaptateurs de la station d'accueil (D).

**Remarque** Vous pouvez utiliser des vis SML-C125 ou toute autre vis trou de poche Kreg.



# Assemblage : butée réglable

La station d'accueil inclut une butée réglable qui peut être attachée à l'une ou l'autre des ailettes de maintien du matériau. La butée réglable permet d'obtenir des résultats reproductibles lorsque vous avez de nombreuses pièces qui exigent le même espacement entre les trous de poche.

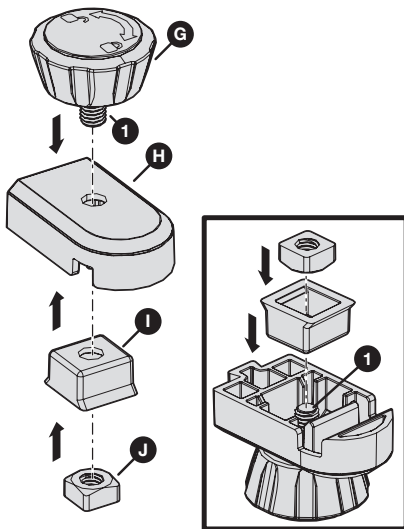
**Remarque** La butée réglable a deux parties : la base de butée réglable, que vous assemblerez à l'étape 1 ; et le bras de butée réglable, qui peut être attaché à la base de butée réglable dans différentes configurations (voir l'étape 2).

## 1 Assemblage de la base de butée réglable

- Insérez la vis (1) du bouton de butée réglable (G) dans le trou sur le dessus de la base de butée réglable (H).
- En maintenant le bouton de butée réglable (G) en position, retournez la base de butée réglable (H) de manière à ce que la vis (1) pointe vers le haut.
- Laissez tomber le coin de la base de butée réglable (I) sur la vis (1), le côté bride du coin de la base de butée réglable (I) tourné vers le haut.

**Remarque** Le coin de la base de butée réglable (I) devrait affleurer avec la base de butée réglable (H). S'il n'affleure pas, tournez le coin de la base de butée réglable (I) à 90 degrés.

- Placez l'écrou carré de butée réglable (J) sur la vis (1) ; ensuite, tournez le bouton de butée réglable (G) jusqu'à ce que l'écrou carré de butée réglable (J) soit serré.

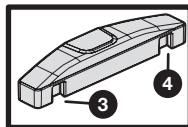
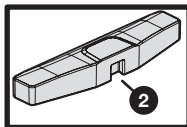
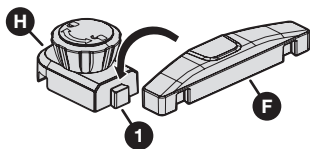


## 2 Fixation du bras de butée réglable sur la base de butée réglable

Abaissez une encoche du bras de butée réglable (F) sur l'ergot (1) de la base de butée réglable (H) jusqu'à ce que le bras de butée réglable (F) soit complètement enclenché sur l'ergot (1).

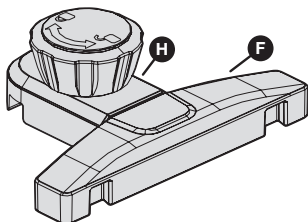
**Remarque** Le bras de butée réglable (F) a trois encoches : une encoche centrale (2) d'un côté et deux encoches extérieures (3, 4) du côté opposé. Utilisez l'encoche appropriée selon la manière dont vous voulez configurer la butée réglable.

**Remarque** Pour modifier la configuration de la butée réglable, soulevez le bras de butée réglable (F) de la base de butée réglable (H). Ensuite, glissez une autre encoche du bras de butée réglable (F) sur l'encoche (1) de la base de butée réglable (H).



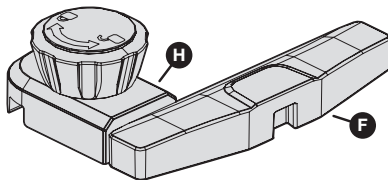
### Configuration centrée

Utilisez l'encoche centrale du bras (2)



### Configuration déportée

Utilisez une des encoches extérieures du bras (3, 4) de sorte que le bras (F) dépasse d'un côté de la base (H)



## Utilisation - Pliage des ailettes de maintien du matériau

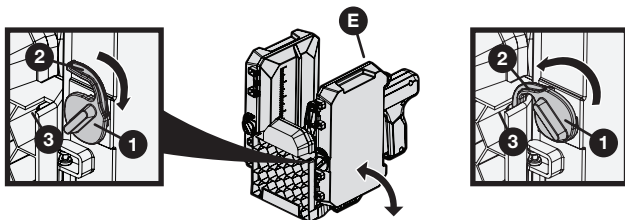
Vous pouvez rabattre les ailettes de maintien du matériau en position verticale pour gagner de la place lorsque le gabarit n'est pas utilisé ou pour déplacer plus facilement le gabarit. Rabattez toujours les ailettes de maintien du matériau vers le bas avant d'utiliser le gabarit.

### Pour rabattre les ailettes de maintien du matériau vers le haut :

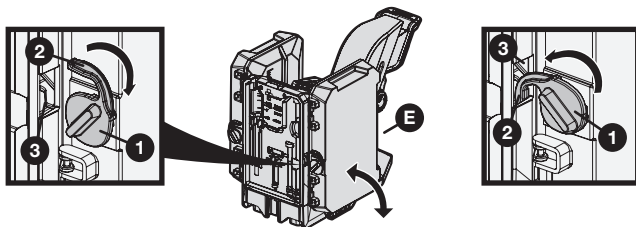
- Rabattez l'ailette de maintien du matériau (E) vers le haut en position verticale.
- Tournez le verrou d'ailette (1) vers l'intérieur jusqu'à ce que le loquet (2) s'enclenche dans l'encoche correspondante :
  - Pour un gabarit série 500, l'encoche (3) se trouve sur le côté du dos de la base de la station d'accueil (A).
  - Pour un gabarit série 700, l'encoche (3) se trouve sur le côté du gabarit.
- Répétez cette procédure pour l'ailette de maintien du matériau (E) sur le côté opposé du gabarit.

### Pour rabattre les ailettes de maintien du matériau vers le bas :

- Tournez le verrou d'ailette (1) vers l'extérieur jusqu'à ce que le loquet (2) se dégage de l'encoche correspondante :
  - Pour un gabarit série 500, l'encoche (3) se trouve sur le côté de la base de la station d'accueil (A).
  - Pour un gabarit série 700, l'encoche (3) se trouve sur le côté du gabarit.
- Rabattez l'ailette de maintien du matériau (E) vers le bas en position horizontale.
- Répétez cette procédure pour l'ailette de maintien du matériau (E) sur le côté opposé du gabarit.



Pliage des ailettes de maintien du matériau sur un gabarit série 500



Pliage des ailettes de maintien du matériau sur un gabarit série 700

# Utilisation - Mode d'emploi de la butée réglable

La butée réglable vous permet de percer plus vite des trous de poche sur des pièces à travailler similaires.

**Remarque** La butée réglable doit être assemblée. Voir **Assemblage : butée réglable** à la page 64.

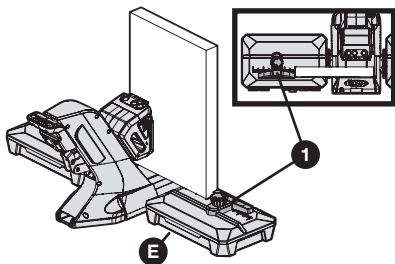
## 1 Configuration de la butée réglable

Si nécessaire, modifiez la configuration de la butée réglable en fonction de la taille et de l'orientation de la pièce à travailler dans le gabarit :

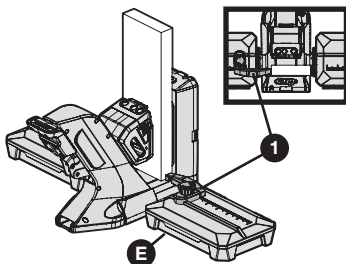
- **Pièce à travailler large** : si la pièce à travailler est assez large pour atteindre le haut d'une ailette de maintien du matériau (E), utilisez la butée réglable (1) dans sa configuration *centrée*.
- **Pièce à travailler étroite** : si la pièce à travailler ne franchit pas l'espace entre le gabarit et l'ailette de maintien du matériau (E), utilisez la butée réglable (1) dans une configuration *déportée*.

**Remarque** Pour une configuration déportée, utilisez l'encoche extérieure du bras de butée réglable qui sera la plus éloignée du gabarit une fois la butée réglable (1) en place sur l'ailette de maintien du matériau (E).

**Remarque** Pour les instructions de changement de configuration, voir **Fixation du bras de butée réglable sur la base de butée réglable** à la page 65.



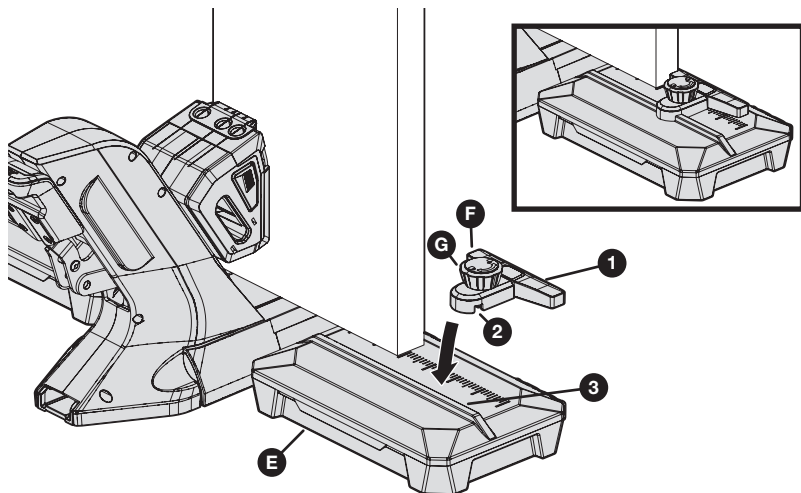
Butée réglable (1) en configuration centrée pour une pièce à travailler large



Butée réglable (1) en configuration déportée pour une pièce à travailler étroite

## 2 Mise en place de la butée réglable

- a. Avec la butée réglable (1) configurée comme vous le souhaitez, placez la butée réglable (1) sur le couvercle d'une ailette de maintien du matériau (E) de sorte que :
  - Le bord du bras de butée réglable (F) soit bien en appui sur la pièce à travailler.
  - L'encoche (2) sous la base de butée réglable s'enclenche sur le rail (3) qui court à travers le couvercle de l'ailette de maintien du matériau (E).
- b. Tournez le bouton de butée réglable (G) dans le sens horaire jusqu'à ce qu'il soit bien serré pour fixer la butée réglable (1) en position.



**Remarque** Pour repositionner ou retirer la butée réglable (1), tournez le bouton de butée réglable (G) dans le sens anti-horaire pour le desserrer. Ensuite, glissez la butée réglable (1) jusqu'à une nouvelle position sur le rail (3) ou soulevez-la de l'ailette de maintien du matériau (E).

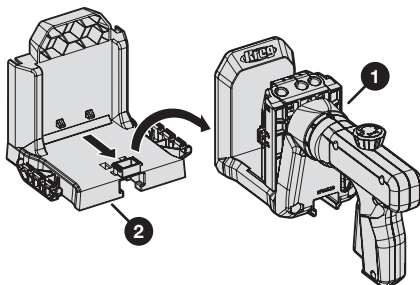


## Retrait du gabarit de la station d'accueil

Si vous voulez utiliser le gabarit sans station d'accueil, vous pouvez le retirer de la station d'accueil.

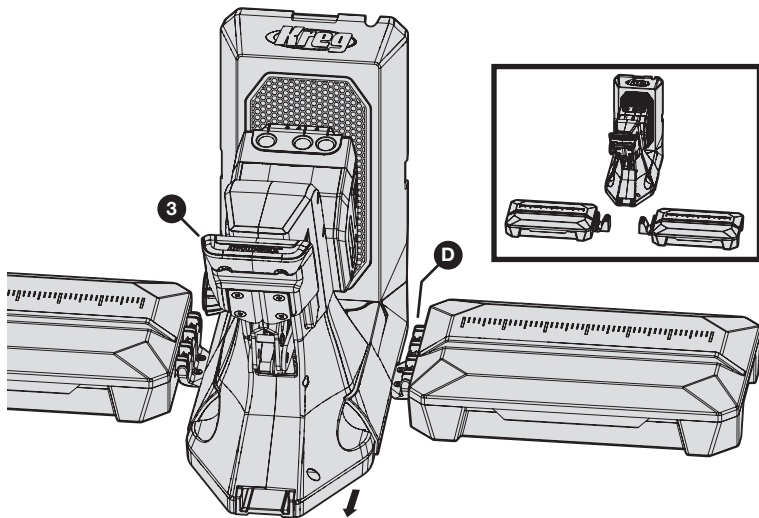
### Retrait d'un gabarit Kreg série 500

Saisissez fermement le gabarit (1) et tirez-le vers vous pour l'enlever de la base de la station d'accueil (2) en le faisant glisser.



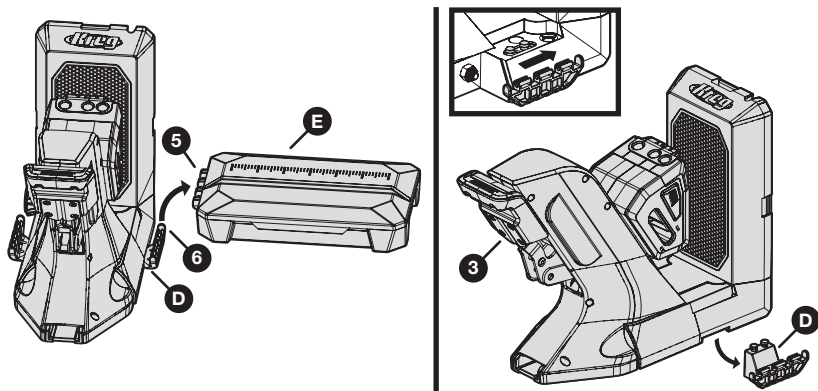
### Retrait d'un gabarit Kreg série 700 d'une station d'accueil montée

Avec la poignée du gabarit (3) tournée vers vous, glissez le gabarit vers vous jusqu'à ce qu'il se dégage des adaptateurs de station d'accueil (D). Ensuite, soulevez le gabarit des adaptateurs de station d'accueil (D).



## Retrait d'un gabarit Kreg série 700 d'une station d'accueil non montée

- a. Détachez chaque ailette de maintien du matériau (E) :
1. Saisissez l'ailette de maintien du matériau (E) près de son point de raccordement à l'adaptateur de station d'accueil (D).
  2. Soulevez délicatement l'ailette de maintien du matériau (E) de sorte que le connecteur de l'ailette de maintien du matériau (5) sorte spontanément du connecteur de l'adaptateur de station d'accueil (6).
- b. Enlevez l'adaptateur de station d'accueil (D) de chaque côté du gabarit :
1. Soulevez légèrement ce côté du gabarit de la surface de travail.
  2. Avec la poignée du gabarit (3) tournée vers vous, glissez l'adaptateur de station d'accueil (D) à l'opposé de vous jusqu'à ce qu'il se détache de la fente sous le gabarit.
  3. Enlevez l'adaptateur de station d'accueil (D) du dessous du gabarit en tirant.



## Entretien et nettoyage

Nettoyez périodiquement la station d'accueil en aspirant les copeaux et la sciure.  
Utilisez un chiffon humide pour éliminer la poussière et autres particules des surfaces antidérapantes SureGrip™.





## **EXPLORER. CONSTRUIRE. PARTAGER.**

Nous sommes des artisans comme vous.  
C'est pourquoi nous aimons voir ce sur quoi vous travaillez.  
Montrez-le à la communauté et trouvez votre inspiration !

**#madewithKreg**

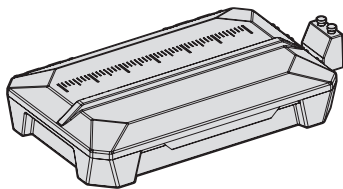
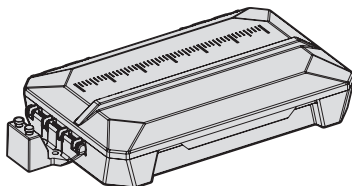
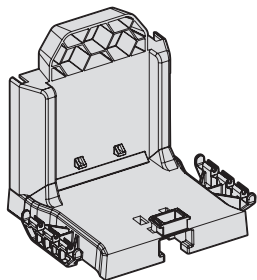
Obtenez des plans gratuits, des ressources pour vos projets et plus encore.  
*[kregtool.com](http://kregtool.com) et [buildsomething.com](http://buildsomething.com)*

# MANUAL DEL PROPIETARIO



## Estación de acoplamiento para plantilla de agujeros de bolsillo KPHA750

Para usar con plantillas de agujeros de bolsillo de Kreg de la serie 500 y de la serie 700



**ADVERTENCIA** Todos los usuarios deben leer y seguir las instrucciones y precauciones de seguridad de este manual. De lo contrario, podrían producirse graves lesiones. Guarda el manual para consultarlo en el futuro.

### Estamos aquí para ayudar.

Nuestro objetivo es que tengas una experiencia de proyectos de construcción excepcional. Si tienes alguna duda o necesitas asistencia, no dudes en ponerte en contacto con nosotros.  
1-800-447-8638 | [technicalsupport@kregtool.com](mailto:technicalsupport@kregtool.com)

### Cuéntanos tu experiencia.

Tu opinión cuenta. Siempre estamos buscando formas de mejorar. Comparte tus impresiones para que podamos seguir creciendo e innovando para ti.  
[www.kregtool.com/feedback](http://www.kregtool.com/feedback)

# Contenido

Precauciones de seguridad . . . . .	.74	Funcionamiento: plegar las aletas de soporte del material . . . . .	.84
Antes del montaje . . . . .	.75	Funcionamiento: uso del tope regulable. . . . .	.85
Herramientas recomendadas (no incluidas) . . . . .	.75	Quitar la plantilla de la estación de acoplamiento . . . . .	.87
Descripción del producto . . . . .	.75	Cuidado y limpieza . . . . .	.88
Montaje: para la plantilla de la serie 500 . . . . .	.76		
Montaje: para la plantilla de la serie 700 . . . . .	.79		
Montaje: tope regulable . . . . .	.82		

## Precauciones de seguridad

**ADVERTENCIA** Antes de utilizar una herramienta eléctrica con este producto, leer y seguir las instrucciones y precauciones de seguridad del fabricante de la herramienta, además de las precauciones de seguridad que se indican a continuación, para reducir el riesgo de lesiones graves causadas por peligros como incendios, descargas eléctricas o brocas en movimiento.

- Llevar siempre el equipo de protección individual recomendado por el fabricante de la herramienta eléctrica que se está utilizando, como protección ocular, acústica o respiratoria.
- La broca es afilada. Manipular con cuidado.
- A pesar de haber adquirido familiaridad por el uso frecuente de las herramientas, no hay que olvidar las normas de prevención de riesgos laborales. Un momento de descuido es más que suficiente para causar una lesión grave.
- Evitar posturas inadecuadas de la mano en las que un deslizamiento repentino podría causar el contacto con la broca en movimiento.
- Al perforar, asegurarse siempre de que la pieza de trabajo esté bien sujeta. Es peligroso sostener la pieza de trabajo con la mano.

**ADVERTENCIA** No utilizar esta herramienta ni ninguna otra maquinaria mientras se esté bajo los efectos de drogas, alcohol o fármacos.

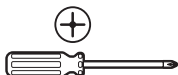
**ADVERTENCIA** El producto puede exponerle a sustancias químicas entre las que se encuentra el acrilonitrilo, que en el estado de California es reconocido como cancerígeno y causante de daños de tipo reproductivo. Para obtener más información, visitar la página [www.P65Warnings.ca.gov](http://www.P65Warnings.ca.gov).

# Antes del montaje

Revisar esta sección antes de empezar. Asegurarse de tener todas las herramientas y materiales a mano. Comparar el contenido del paquete con los artículos enumerados en las secciones de Herramientas recomendadas y Descripción del producto. Si falta algún artículo, no utilizar este producto. Ponerse en contacto con el Servicio de asistencia técnica o devolver el producto al lugar de compra.

## Herramientas recomendadas (no incluidas)

Montaje del acoplamiento para su uso con la  
plantilla de la serie 500:

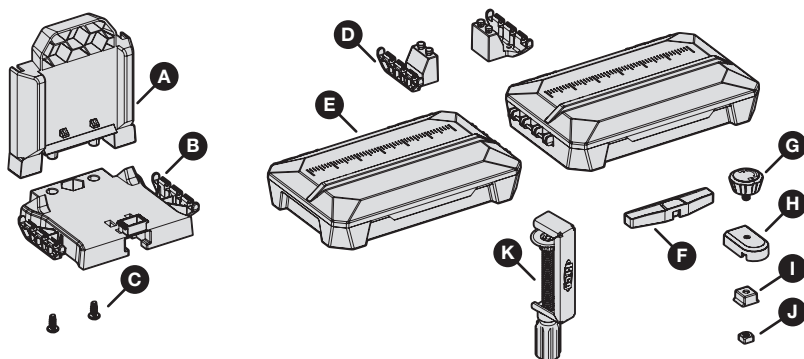


Destornillador de estrella núm. 2

Montaje del acoplamiento para su uso con la  
plantilla de la serie 700:

No se necesitan herramientas.

## Descripción del producto



Componente	Descripción
A	Parte posterior de la base de acoplamiento para plantilla de la serie 500
B	Plataforma de la base de acoplamiento para plantilla de la serie 500
C	Tornillos de la base de acoplamiento (2) para plantilla de la serie 500
D	Adaptadores de acoplamiento para plantilla de la serie 700 (2)
E	Aletas de soporte del material (2)

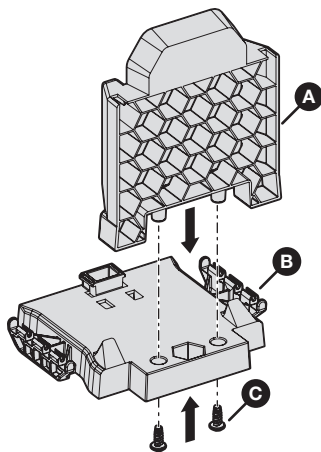
Componente	Descripción
F	Brazo de tope regulable
G	Perilla de tope regulable
H	Base de tope regulable
I	Cuña de la base de tope regulable
J	Tuerca cuadrada de tope regulable
K	Abrazadera de plantilla de agujero de bolsillo KPHA760

# Montaje: para la plantilla de la serie 500

Esta sección describe cómo montar la estación de acoplamiento para plantilla de agujeros de bolsillo KPHA750 para su uso con una plantilla Kreg de la serie 500.

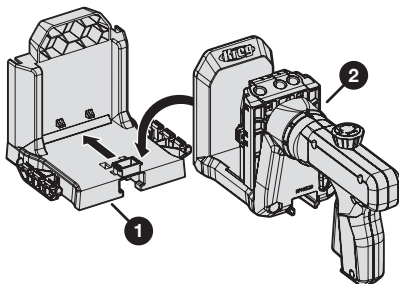
## 1 Montar la base de acoplamiento

- Quitar los dos tornillos (C) sujetos con cinta adhesiva a la plataforma de la base de acoplamiento (B).
- Introducir la parte posterior de la base de acoplamiento (A) en la plataforma de la base de acoplamiento (B):
  - El lado con forma de panel de la parte posterior de la base de acoplamiento (A) se orienta en dirección opuesta a la plataforma de la base de acoplamiento (B).
  - Los dos conectores que sobresalen de la parte inferior de la parte posterior de la base de acoplamiento (A) encajan en los agujeros correspondientes de la plataforma de la base de acoplamiento (B).
- Para cada conector: Introducir un tornillo (C) en el conector desde la parte inferior de la plataforma de acoplamiento (B); a continuación, usar un destornillador de estrella núm. 2 para apretar el tornillo (C).



## 2 Conectar la plantilla de la serie 500 a la base de acoplamiento

- Colocar la base de acoplamiento montada (1) sobre una superficie plana.
- Deslizar la plantilla de la serie 500 (2) sobre la base de acoplamiento hasta que la plantilla (2) toque la parte posterior de la base de acoplamiento montada (1) y encaje en su sitio.





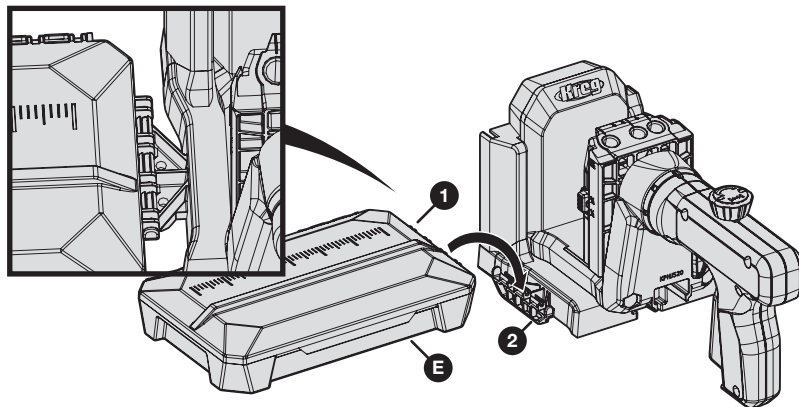
### 3 Conectar las aletas de soporte del material a la base de acoplamiento

**Consejo** Las aletas de soporte del material también sirven como cajas de almacenamiento.

- Sostener una aleta de soporte del material (E) con la parte superior hacia arriba (de modo que la tapa de la caja de almacenamiento esté orientada hacia arriba y se abra en dirección contraria al usuario).
- Alinear el conector (1) en el lado del aleta de soporte del material (E) con el conector (2) en el lateral de la base de acoplamiento; a continuación, presionar la aleta de soporte del material (E) firmemente hacia abajo para que los conectores se enganchen.

**Nota** Las barras del conector de la aleta de soporte del material (1) encajan en las ranuras del conector de la base de acoplamiento (2).

- Repetir estos pasos para conectar la otra aleta de soporte del material (E) al conector (2) del lado contrario de la base de acoplamiento.

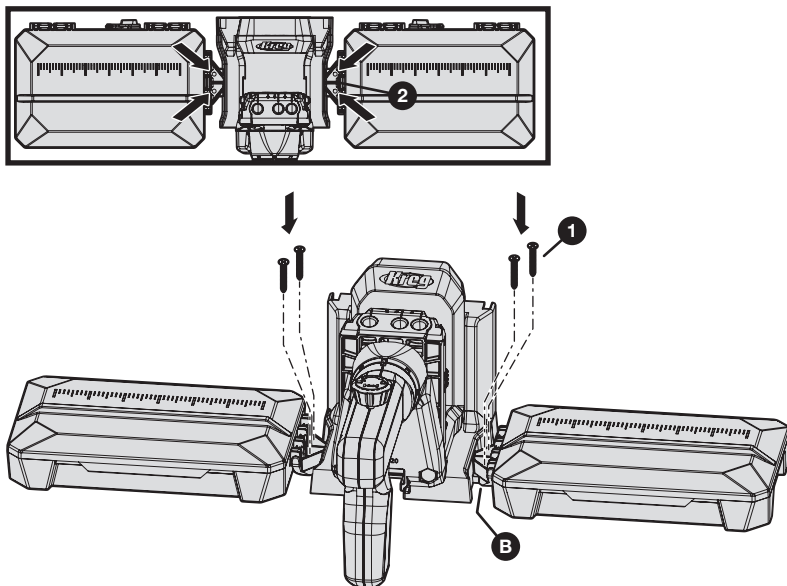


## 4 Opcional: Montar la base de acoplamiento en una superficie de trabajo

Si se desea, es posible montar la base de acoplamiento en una superficie de trabajo para tener una mayor estabilidad.

- Colocar la estación de acoplamiento montada (con o sin la plantilla de la serie 500 fijada) en la posición deseada en un banco de trabajo.
- Pasar un tornillo de agujero de bolsillo Kreg (1) a través de cada uno de los cuatro agujeros de montaje (2) en la plataforma de la base de acoplamiento (B).

**Nota** Se pueden usar tornillos Kreg SML-C125 o cualquier otro tornillo Kreg de agujero de bolsillo.



# Montaje: para la plantilla de la serie 700

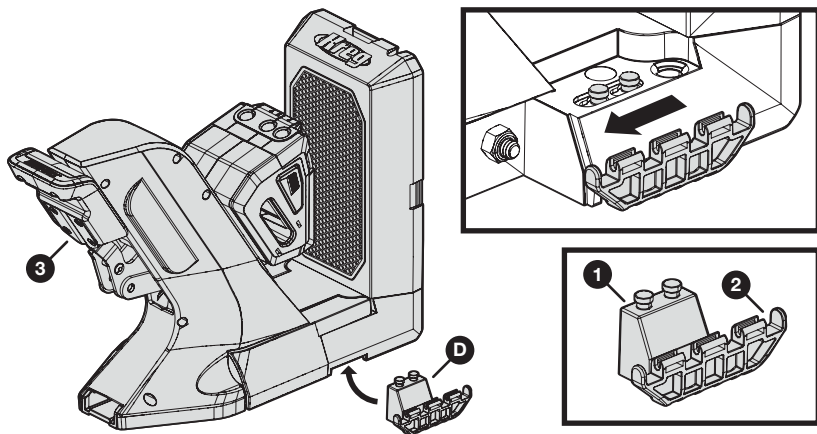
Esta sección describe cómo montar la estación de acoplamiento para plantilla de agujeros de bolsillo KPHA750 para su uso con una plantilla Kreg de la serie 700.

## 1 Conectar los adaptadores de acoplamiento a la plantilla de la serie 700

- Colocar la plantilla de la serie 700 en una superficie plana.
- Con una mano, levantar un lado de la plantilla de la serie 700 ligeramente.
- Con la otra mano, colocar un adaptador de acoplamiento (D) debajo de la plantilla para que los pasadores de sujeción (1) encajen en el agujero correspondiente en la parte inferior de la plantilla; a continuación, deslizar el adaptador de acoplamiento (D) hacia el mango de la plantilla (3) para fijar el adaptador de acoplamiento (D) en su posición.

**Nota** Un lado del adaptador de acoplamiento (D) tiene pasadores de sujeción (1) que encajan en la parte inferior de la plantilla; el otro lado tiene un conector (2) para una aleta de soporte del material (no se muestra). Asegurarse de que el lado del conector de la aleta (2) del adaptador de acoplamiento (D) se extienda hacia fuera del lado de la plantilla.

- Repetir los pasos b y c para conectar el otro adaptador de acoplamiento (D) en el lado contrario de la plantilla.



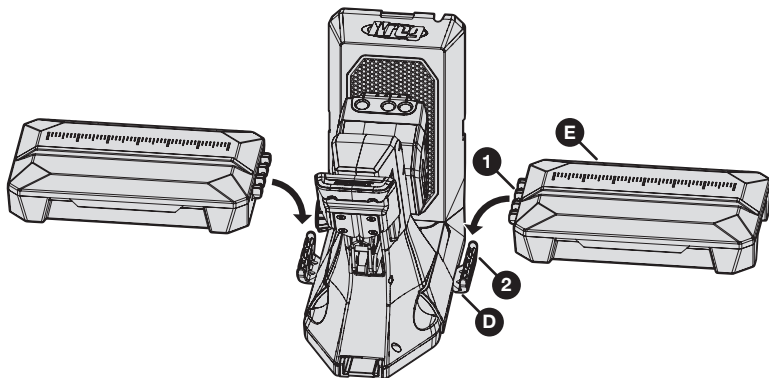
## 2 Conectar las aletas de soporte del material a los adaptadores de acoplamiento

**Consejo** Las aletas de soporte del material también sirven como cajas de almacenamiento.

- Sostener un aleta de soporte del material (E) con la parte superior hacia arriba (de modo que la tapa de la caja de almacenamiento esté orientada hacia arriba y se abra en dirección contraria al usuario).
- Alinear el conector (1) en el lado de la aleta de soporte del material (E) con el conector (2) en el adaptador de acoplamiento (D) que se extiende desde el lado de la plantilla; a continuación, presionar la aleta de soporte del material (E) firmemente hacia abajo para que los conectores se enganchen.

**Nota** Las barras del conector de la aleta de soporte del material (1) encajan en las ranuras del conector del adaptador de acoplamiento (2).

- Repetir estos pasos para conectar la otra aleta de soporte del material (E) al adaptador de acoplamiento (D) en el lado contrario de la plantilla.

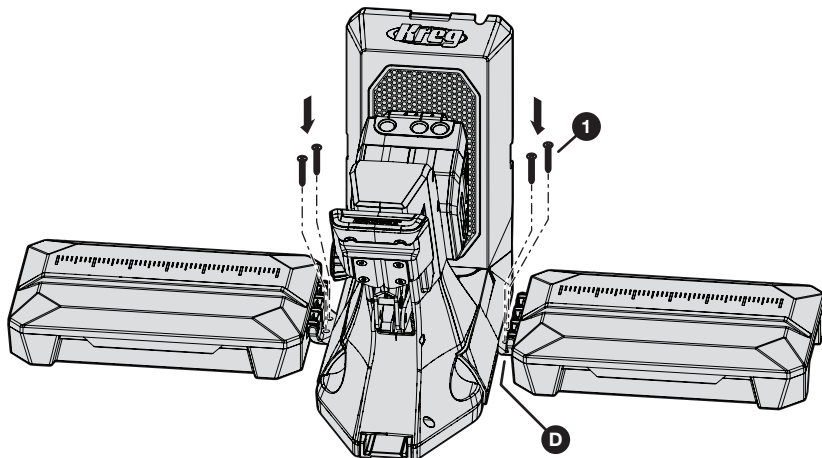
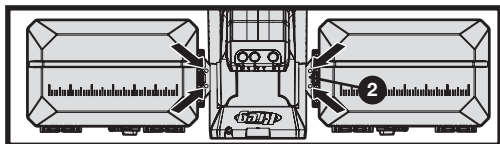


### 3 Opcional: Montar los adaptadores de acoplamiento en una superficie de trabajo

Si se desea, es posible montar los adaptadores de acoplamiento en una superficie de trabajo para tener una mayor estabilidad.

- Colocar la estación de acoplamiento montada (con la plantilla de la serie 700 fijada) en la posición deseada en un banco de trabajo.
- Pasar un tornillo de agujero de bolsillo Kreg (1) a través de cada uno de los cuatro agujeros de montaje (2) en los adaptadores de montaje (D).

**Nota** Se pueden usar tornillos Kreg SML-C125 o cualquier otro tornillo Kreg de agujero de bolsillo.



# Montaje: tope regulable

La estación de acoplamiento incluye un tope regulable que puede fijarse en cualquiera de las dos aletas de soporte del material. El tope regulable facilita la obtención de resultados repetibles cuando se tienen muchas piezas que requieren un espaciado idéntico entre los agujeros de bolsillo.

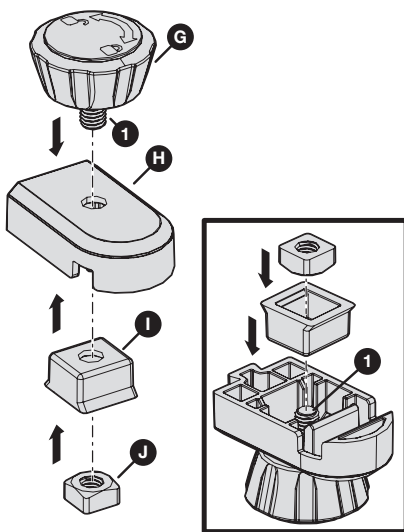
**Nota** El tope regulable consta de dos partes: la base del tope regulable, que se monta en el paso 1; y el brazo de tope regulable, que puede fijarse a la base de tope regulable en diferentes configuraciones (ver el paso 2).

## 1 Montar la base de tope regulable

- Introducir el tornillo (1) de la perilla de tope regulable (G) en el agujero situado en la parte superior de la base de tope regulable (H).
- Manteniendo la perilla de tope regulable (G) en posición, girar la base de tope regulable (H) hacia abajo para que el tornillo (1) vaya hacia arriba.
- Colocar la cuña de la base de tope regulable (I) sobre el tornillo (1) con el lado bridado de la cuña de la base de tope regulable (I) orientado hacia arriba.

**Nota** La cuña de la base de tope regulable (I) debe quedar al ras con la base de tope regulable (H). Si no queda al ras, girar la cuña de la base de tope regulable (I) 90 grados.

- Colocar la tuerca cuadrada de tope regulable (J) en el tornillo (1); a continuación, girar la perilla de tope regulable (G) con la mano hasta que la tuerca cuadrada de tope regulable (J) esté bien ajustada.

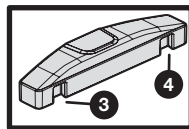
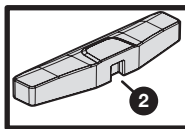
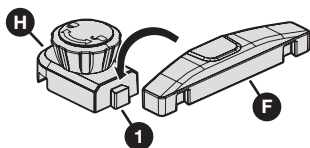


## 2 Fijar el brazo de tope regulable a la base de tope regulable

Colocar una de las muescas del brazo de tope regulable (F) en la pestaña (1) de la base de tope regulable (H) de forma que el brazo de tope regulable (F) quede completamente asentado en la pestaña (1).

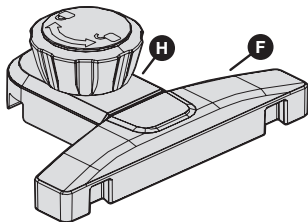
**Nota** El brazo de tope regulable (F) tiene tres muescas: una muesca central (2) en un lado y dos muescas exteriores (3, 4) en el lado contrario. Utilizar la muesca apropiada dependiendo de cómo se quiera configurar el tope regulable.

**Nota** Para cambiar la configuración del tope regulable, levantar el brazo de tope regulable (F) de la base de tope regulable (H). A continuación, utilizar una muesca diferente del brazo de tope regulable (F) en la pestaña (1) de la base de tope regulable (H).



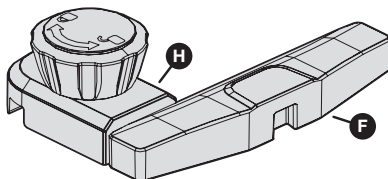
### Configuración centrada

Utilizar la muesca central del brazo (2)



### Configuración lateral

Utilizar cualquiera de las muescas exteriores del brazo (3, 4), para que el brazo (F) se extienda a un lado de la base (H)



# Funcionamiento: plegar las aletas de soporte del material

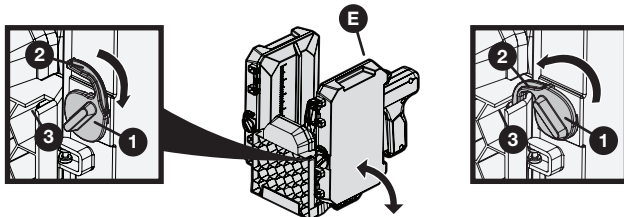
Las aletas de soporte del material se pueden plegar en posición vertical para ahorrar espacio cuando la plantilla no se usa o para facilitar el traslado de la plantilla de un lugar a otro. Plegar siempre las aletas de soporte del material antes de usar la plantilla.

## Para plegar las aletas de soporte del material:

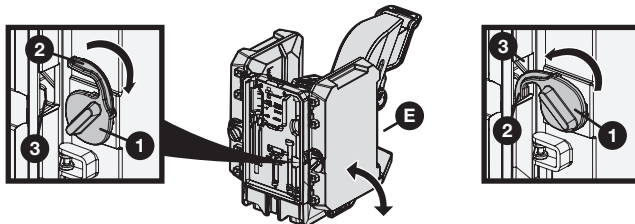
- Plegar la aleta de soporte del material (E) hacia arriba hasta que quede en posición vertical.
- Girar el bloqueo de la aleta (1) hacia adentro hasta que (2) se enganche en la muesca correspondiente:
  - En las plantillas de la serie 500, la muesca (3) se encuentra en el lateral de la parte posterior de la base de acoplamiento (A).
  - En las plantillas de la serie 700, la muesca (3) se encuentra en el lateral de la plantilla.
- Repetir este proceso para la aleta de soporte del material (E) en el lado contrario de la plantilla.

## Para desplegar las aletas de soporte del material:

- Girar el bloqueo de la aleta (1) hacia afuera hasta que (2) se desenganche de la muesca:
  - En las plantillas de la serie 500, la muesca (3) se encuentra en el lateral de la base de acoplamiento (A).
  - En las plantillas de la serie 700, la muesca (3) se encuentra en el lateral de la plantilla.
- Desplegar la aleta de soporte del material (E) hacia abajo hasta que quede en posición horizontal.
- Repetir este proceso para la aleta de soporte del material (E) en el lado contrario de la plantilla.



Plegar las aletas de soporte del material en una plantilla de la serie 500



Plegar las aletas de soporte del material en una plantilla de la serie 700



# Funcionamiento: uso del tope regulable

El tope regulable permite perforar agujeros de bolsillo en piezas de trabajo similares a un ritmo más rápido.

**Nota** El tope regulable requiere montaje. Consultar **Montaje: tope regulable** en la página 82.

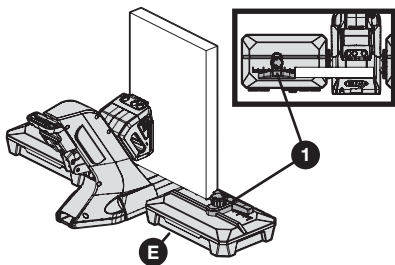
## 1 Configurar el tope regulable

Si es necesario, cambiar la configuración del tope regulable para acomodar el tamaño y la orientación de la pieza en la plantilla:

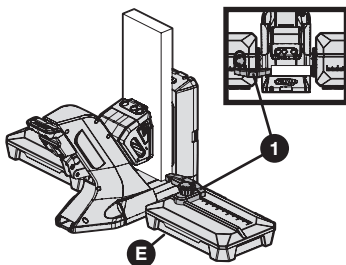
- **Pieza de trabajo ancha:** Si la pieza es lo suficientemente ancha como para extenderse sobre la parte superior de una aleta de soporte del material (E), utilizar el tope regulable (1) en su configuración *centrada*.
- **Pieza de trabajo estrecha:** Si la pieza no se extiende a lo largo del espacio entre la plantilla y la aleta de soporte del material (E), utilizar el tope regulable (1) en una configuración *lateral*.

**Nota** Para una configuración lateral, utilizar la muesca exterior del brazo de tope regulable que esté más alejada de la plantilla después de colocar el tope regulable (1) en una aleta de soporte del material (E).

**Nota** Para obtener instrucciones sobre cómo cambiar la configuración, consultar **Fijar el brazo de tope regulable a la base de tope regulable** en la página 83.



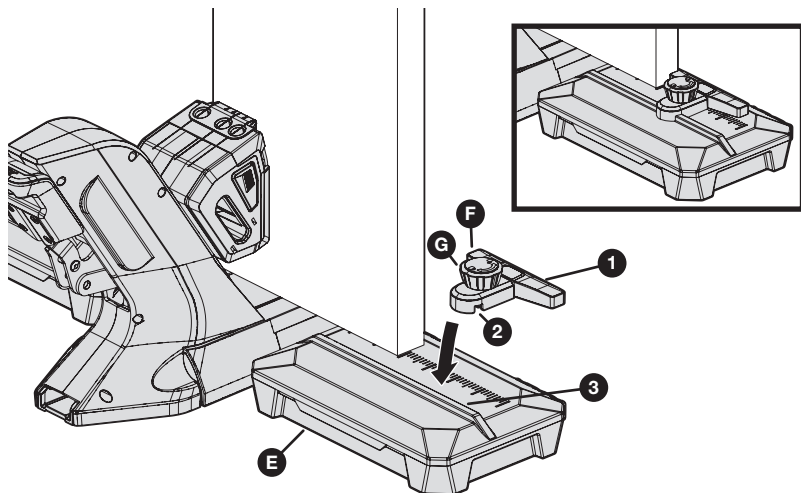
Tope regulable (1) en la configuración centrada para una pieza de trabajo ancha



Tope regulable (1) en la configuración lateral para una pieza de trabajo estrecha

## 2 Colocar el tope regulable en posición

- a. Con el tope regulable (1) configurado de la manera que se desea, colocar el tope regulable (1) en la tapa de una aleta de soporte del material (E) de manera que:
  - El borde del brazo de tope regulable (F) descansa firmemente sobre la pieza de trabajo.
  - La muesca (2) en la parte inferior de la base de tope regulable encaja sobre la guía (3) que atraviesa la tapa de la aleta de soporte del material (E).
- b. Girar la perilla de tope regulable (G) en el sentido de las agujas del reloj hasta apretarla para fijar el tope regulable (1) en su posición.



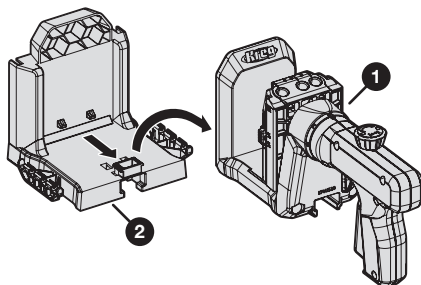
**Nota** Para reposicionar o quitar el tope regulable (1), girar la perilla de tope regulable (G) en sentido contrario a las agujas del reloj para aflojarla. A continuación, deslizar el tope regulable (1) a una nueva posición a lo largo de la guía (3) o levantarlo de la aleta de soporte del material (E).

## Quitar la plantilla de la estación de acoplamiento

Es posible utilizar la plantilla sin la estación de acoplamiento.

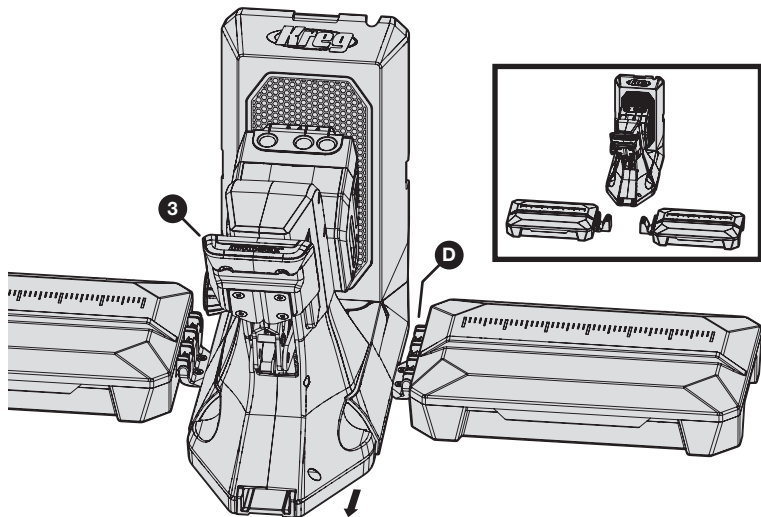
### Quitar una plantilla Kreg de la serie 500

Agarrar la plantilla (1) con firmeza y tirar de ella para quitarla de la base de acoplamiento (2).



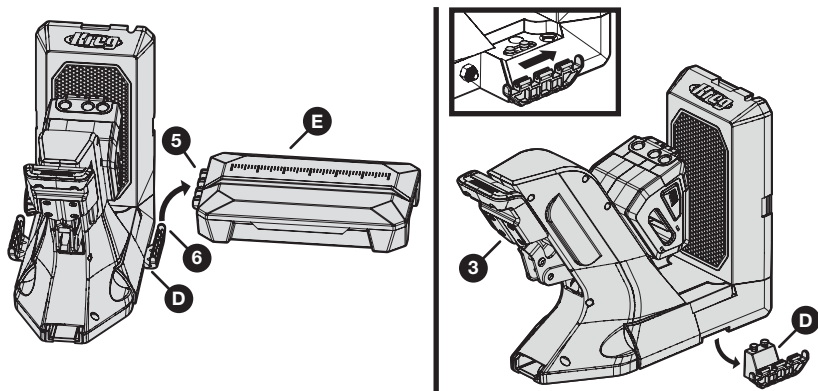
### Quitar una plantilla Kreg de la serie 700 de una estación de acoplamiento montada

Con el mango de la plantilla (3) orientado hacia el usuario, deslizar la plantilla hacia este hasta que la plantilla se desenganche de los adaptadores de acoplamiento (D). A continuación, levantar la plantilla de los adaptadores de acoplamiento (D).



## Quitar una plantilla Kreg de la serie 700 de una estación de acoplamiento no montada

- a. Separar cada aleta de soporte del material (E):
  1. Agarrar la aleta de soporte del material (E) cerca de donde se conecta con el adaptador de acoplamiento (D).
  2. Levantar con cuidado la aleta de soporte del material (E) para que el conector de la aleta de soporte del material (5) salga del conector del adaptador de acoplamiento (6).
- b. Quitar el adaptador de acoplamiento (D) de cada lado de la plantilla:
  1. Elevar ese lado de la plantilla ligeramente de la superficie de trabajo.
  2. Con el mango de la plantilla (3) orientado hacia el usuario, deslizar el adaptador de acoplamiento (D) en sentido contrario al usuario hasta que el adaptador de acoplamiento (D) se desenganche de la ranura en la parte inferior de la plantilla.
  3. Sacar el adaptador de acoplamiento (D) de la parte inferior de la plantilla.



## Cuidado y limpieza

Limpiar periódicamente el acoplamiento aspirando las virutas y el polvo de madera.  
Utilizar un paño húmedo para limpiar el polvo y los residuos de las superficies de la almohadilla antideslizante SureGrip™.





## **EXPLORA. CONSTRUYE. COMPARTE.**

Somos constructores como tú.  
Por eso nos encanta ver en qué estás trabajando.  
¡Comparte con la comunidad e inspírate!

**#madewithKreg**

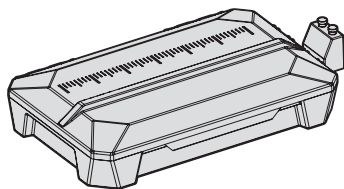
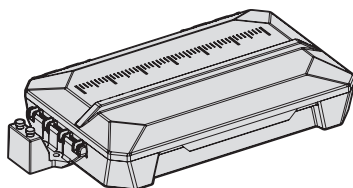
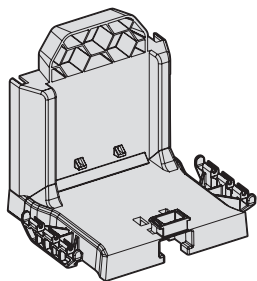
Obtén planes gratuitos, recursos para proyectos y más.  
*[kregtool.com](http://kregtool.com) y [buildsomething.com](http://buildsomething.com)*

# BENUTZERHANDBUCH



## KPHA750-Andockstation für Sackloch-Bohrvorrichtung

Für den Einsatz mit Kreg Sackloch-Bohrvorrichtungen der Serien 500 und 700



**WARNUNG** Benutzer müssen die Anweisungen und Sicherheitsvorkehrungen in diesem Handbuch lesen und befolgen. Eine Nichtbeachtung kann zu schweren Verletzungen führen. Bewahren Sie die Bedienungsanleitung zum späteren Nachschlagen auf.

### Wir sind hier, um Sie zu unterstützen.

Unser Wunsch ist es, Ihr Bauprojekt zu einem herausragenden Erlebnis zu machen.

Bei Fragen oder wenn Sie Unterstützung benötigen, setzen Sie sich bitte mit uns in Verbindung.

1-800-447-8638 | [technicalsupport@kregtool.com](mailto:technicalsupport@kregtool.com)

### Teilen Sie uns bitte Ihre Erfahrungen mit.

Ihre Meinung zählt. Und wir suchen immer nach Möglichkeiten, uns zu verbessern.

Senden Sie uns Ihr Feedback, damit wir weiterhin für Sie Entwicklungsarbeit leisten und innovativ sein können.

[www.kregtool.com/feedback](http://www.kregtool.com/feedback)

# Inhaltsverzeichnis

Sicherheitsvorkehrungen . . . . .	92	Montage: Verstellbarer Anschlag . . . . .	100
Vormontage . . . . .	93	Betrieb - Einklappen der Materialauflageflügel . . . . .	102
Empfohlene Werkzeuge (nicht im Lieferumfang enthalten) . . . . .	93	Betrieb - Verstellbaren Anschlag verwenden	103
Produktbeschreibung . . . . .	93	Entfernen der Bohrvorrichtung aus der Andockstation . . . . .	105
Montage: Für die Bohrvorrichtung der 500er-Serie . . . . .	94	Pflege und Reinigung. . . . .	106
Montage: Für die Bohrvorrichtung der 700er-Serie . . . . .	97		

## Sicherheitsvorkehrungen

**WARNUNG** Lesen und befolgen Sie vor dem Einsatz eines Elektrowerkzeugs mit diesem Produkt zusätzlich zu den unten aufgeführten Sicherheitsvorkehrungen die Anweisungen und Sicherheitsvorkehrungen des Werkzeugherstellers, um das Risiko einer schweren Verletzung durch Gefahren wie Feuer, elektrischen Schlag oder durch den rotierenden Bohraufsatz zu minimieren.

- Tragen Sie immer die vom Hersteller des von Ihnen verwendeten Elektrowerkzeugs empfohlene persönliche Schutzausrüstung wie Augen-, Gehör- und Atemschutz.
- Der Bohraufsatz ist scharf. Mit Vorsicht handhaben.
- Lassen Sie nicht zu, dass durch den häufigen Gebrauch Ihrer Werkzeuge entstandene Gewohnheiten sichere Arbeitsweisen ersetzen. Ein Moment der Unachtsamkeit reicht aus, um schwere Verletzungen zu verursachen.
- Vermeiden Sie ungünstige Handhaltungen, bei denen ein plötzliches Abrutschen zu einem Kontakt mit dem rotierenden Bohraufsatz führen könnte.
- Achten Sie beim Bohren immer darauf, dass das Werkstück sicher eingespannt ist. Es ist gefährlich, ein Werkstück mit der Hand festzuhalten.

**WARNUNG** Betreiben Sie dieses Gerät oder Maschinen jeglicher Art nicht unter dem Einfluss von Drogen, Alkohol oder Medikamenten.

**WARNUNG** Durch dieses Produkt können Sie Chemikalien einschließlich Acrylnitril und anderen Chemikalien ausgesetzt werden, die nach der Einstufung im Bundesstaat Kalifornien als krebserregend gelten und die Fortpflanzungsfähigkeit beeinträchtigen können. Weitere Informationen hierzu finden Sie auf [www.P65Warnings.ca.gov](http://www.P65Warnings.ca.gov).



# Vormontage

Lesen Sie diesen Abschnitt, bevor Sie beginnen. Vergewissern Sie sich, dass Sie alle Werkzeuge und Materialien zur Hand haben. Vergleichen Sie die Lieferung mit den in den Abschnitten „Empfohlene Werkzeuge“ und „Produktbeschreibung“ aufgeführten Artikeln. Falls ein Artikel fehlt, dieses Produkt nicht verwenden. Wenden Sie sich an den technischen Kundendienst oder geben Sie das Produkt an den Händler zurück, bei dem Sie es gekauft haben.

## Empfohlene Werkzeuge (nicht im Lieferumfang enthalten)

**Montage der Andockstation für die Bohrvorrichtung der 500er-Serie:**

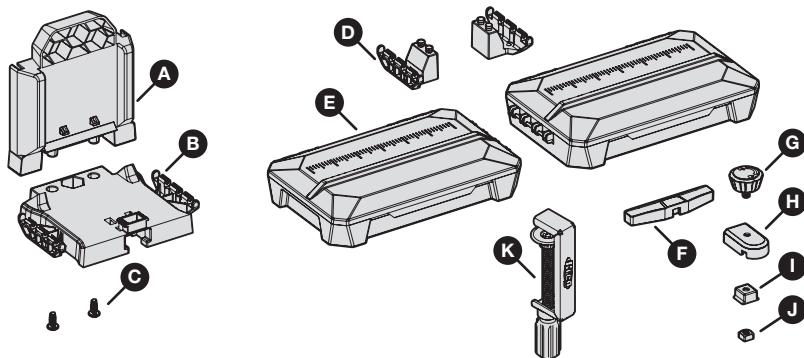


#2 Kreuzschlitz-Schraubendreher

**Montage der Andockstation für die Bohrvorrichtung der 700er-Serie:**

Keine Werkzeuge erforderlich

## Produktbeschreibung



Artikel	Beschreibung
A	Rückseite der Dockbasis für Bohrvorrichtung 500er-Serie
B	Plattform der Dockbasis für Bohrvorrichtung 500er-Serie
C	Schrauben (2) für Dockbasis für Bohrvorrichtung 500er-Serie
D	Dockadapter für Bohrvorrichtung 700er-Serie (2)
E	Materialauflageflügel (2)

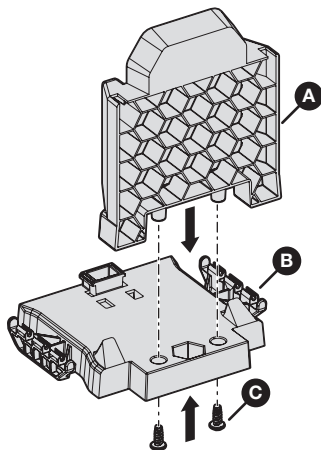
Artikel	Beschreibung
F	Verstellbarer Anschlag Arm
G	Verstellbarer Anschlag Knopf
H	Verstellbarer Anschlag Sockel
I	Verstellbarer Anschlag Sockelkeil
J	Verstellbarer Anschlag Vierkantschraube
K	KPHA760-Klemme für Sackloch-Bohrvorrichtung

# Montage: Für die Bohrvorrichtung der 500er-Serie

Dieser Abschnitt beschreibt die Montage der KPHA750-Andockstation für Sackloch-Bohrvorrichtung für den Einsatz mit einer Kreg Bohrvorrichtung der 500er-Serie.

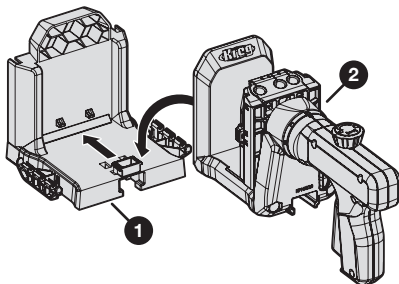
## 1 Basis der Andockstation zusammenfügen

- Die beiden an der Plattform der Dockbasis (B) befestigten Schrauben (C) entfernen.
- Die Rückseite der Dockbasis (A) in die Plattform der Dockbasis stecken (B):
  - Die Wabenseite der Rückseite (A) ist dabei von der Plattform der Dockbasis (B) abgewandt.
  - Die beiden Zapfen, die aus der Unterseite der Rückseite (A) herausragen, passen in die entsprechenden Löcher in der Plattform (B) der Dockbasis.
- Für jeden Zapfen: Eine Schraube (C) von der Unterseite der Plattform (B) der Dockbasis in den Zapfen einführen; dann die Schraube (C) mit einem Kreuzschlitzschraubendreher #2 anziehen.



## 2 Die Bohrvorrichtung der 500er-Serie an der Dockbasis befestigen

- Die zusammengefügte Basis der Andockstation (1) auf eine ebene Unterlage stellen.
- Die Bohrvorrichtung der 500er-Serie (2) auf die Dockbasis schieben, bis die Bohrvorrichtung (2) die Rückseite der zusammengebauten Dockbasis (1) erreicht und einrastet.



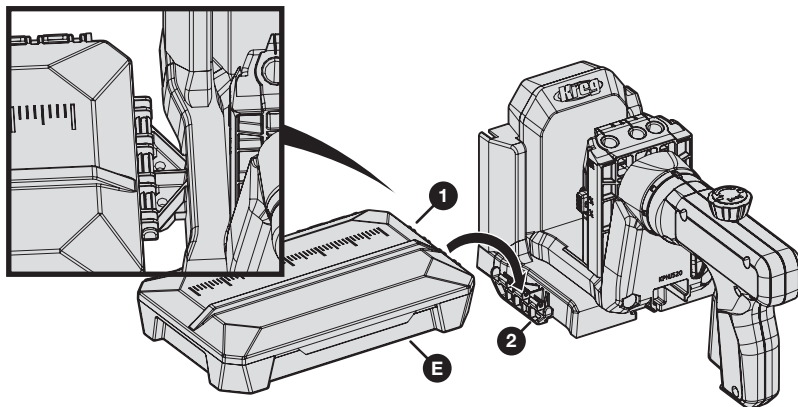
### 3 Auflageflügel an der Basis der Andockstation befestigen

**Tip** Die Auflageflügel für Werkstücke dienen auch als Aufbewahrungsbehälter.

- Einen der Materialauflageflügel (E) mit der Oberseite nach oben halten (sodass der Deckel der Aufbewahrungsbox nach oben zeigt und sich von Ihnen weg öffnet).
- Das Verbindungsstück (1) an der Seite des Auflageflügels (E) mit dem Verbindungsstück (2) auf der Seite der Dockbasis ausrichten; dann den Auflageflügel (E) fest nach unten drücken, so dass die Verbindungsstücke einrasten.

**Hinweis** Die Riegel am Verbindungsstück (1) des Materialauflageflügel rasten in die Nuten des Verbindungsstücks an der Dockbasis (2) ein.

- Diese Schritte wiederholen, um den anderen Materialauflageflügel (E) mit dem Verbindungsstück (2) auf der gegenüberliegenden Seite der Dockbasis zu verbinden.

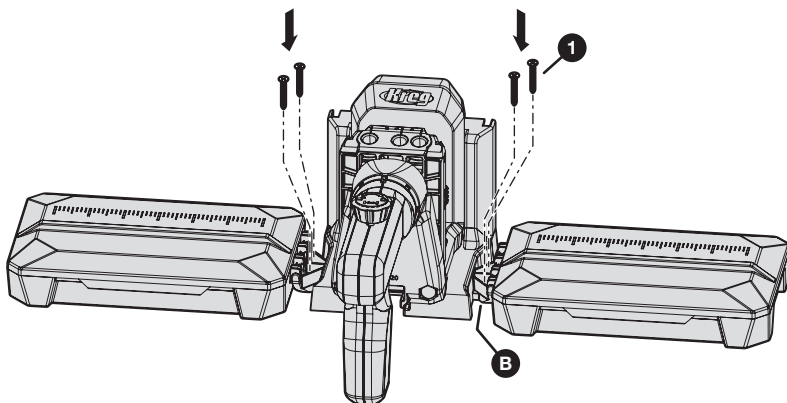
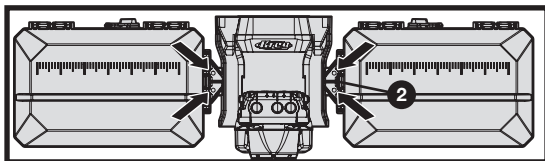


## 4 *Optional: Die Dockbasis an einer Arbeitsfläche befestigen*

Falls gewünscht, kann die Dockbasis zur Erhöhung der Stabilität auf der Arbeitsfläche befestigt werden.

- Hierfür die montierte Andockstation (mit oder ohne angebrachte Bohrvorrichtung der 500er-Serie) in der gewünschten Position auf Ihrer Werkbank platzieren.
- Durch jede der vier Befestigungsbohrungen (2) in der Plattform der Dockbasis (B) eine Kreg-Sacklochschraube (1) eindrehen.

**Hinweis** Sie können Kreg-SML-C125-Schrauben oder jede andere Kreg-Sacklochschraube verwenden.



# Montage: Für die Bohrvorrichtung der 700er-Serie

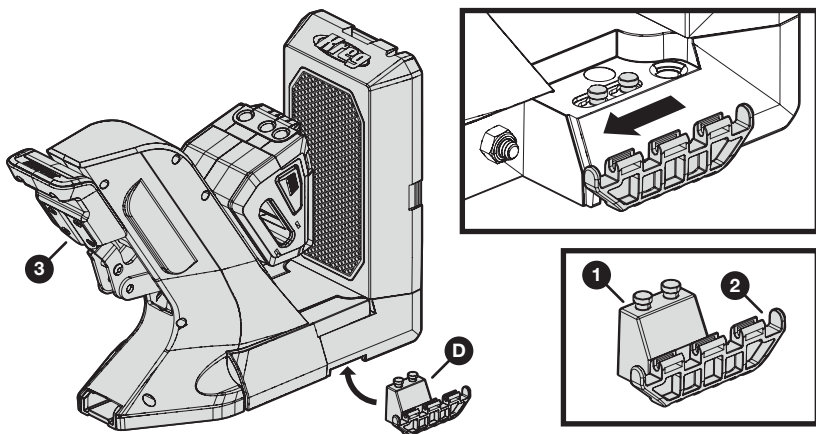
Dieser Abschnitt beschreibt die Montage der KPHA750-Andockstation für Sackloch-Bohrvorrichtung für den Einsatz mit einer Kreg Bohrvorrichtung der 700er-Serie.

## 1 Dockadapter mit der Bohrvorrichtung der 700er-Serie verbinden

- Die Bohrvorrichtung der 700er-Serie auf eine flache Unterlage platzieren.
- Mit einer Hand eine Seite der Bohrvorrichtung der 700er-Serie leicht anheben.
- Mit der anderen Hand einen Dockadapter (D) unter die Bohrvorrichtung legen, so dass die Befestigungsstifte (1) in das entsprechende Loch an der Unterseite der Vorrichtung passen; dann den Dockadapter (D) in Richtung des Griffs der Bohrvorrichtung (3) schieben, um den Dockadapter (D) in seiner Position zu verriegeln.

**Hinweis** Eine Seite eines Dockadapters (D) hat Befestigungsstifte (1), die unter die Bohrvorrichtung passen; die andere Seite hat einen Anschluss (2) für einen Materialauflageflügel (nicht abgebildet). Stellen Sie sicher, dass die Seite des Dockadapters (D) mit dem Verbindungsstück für den Auflageflügel (2) seitlich aus der Bohrvorrichtung herausragt.

- Die Schritte b und c wiederholen, um den anderen Dockadapter (D) auf der gegenüberliegenden Seite der Bohrvorrichtung anzuschließen.



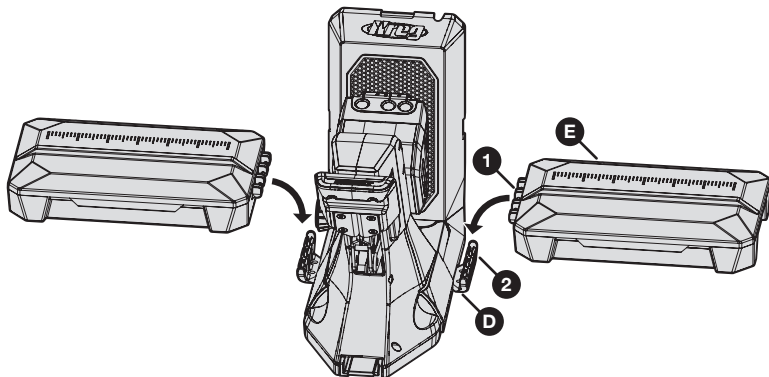
## 2 Die Materialauflageflügel mit den Dockadaptern verbinden

**Tip** Die Auflageflügel für Werkstücke dienen auch als Aufbewahrungsbehälter.

- Einen der Materialauflageflügel (E) mit der Oberseite nach oben halten (sodass der Deckel der Aufbewahrungsbox nach oben zeigt und sich von Ihnen weg öffnet).
- Das Verbindungsstück (1) an der Seite des Materialauflageflügels (E) mit dem Verbindungsstück (2) am Dockadapter (D) ausrichten, der seitlich aus der Bohrvorrichtung herausragt; dann den Auflageflügel (E) fest nach unten drücken, so dass die Verbindungsstücke einrasten.

**Hinweis** Die Riegel am Verbindungsstück (1) des Materialauflageflügel rasten in die Nuten des Verbindungsstücks am Dockadapter (2) ein.

- Diese Schritte wiederholen, um den anderen Materialauflageflügel (E) mit dem Dockadapter (D) auf der gegenüberliegenden Seite der Bohrvorrichtung zu verbinden.

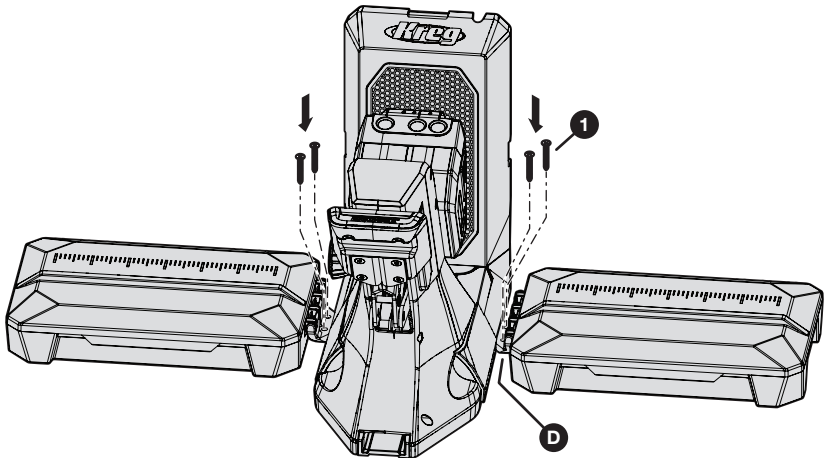
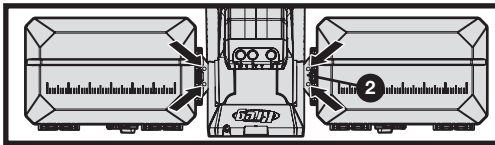


### 3 *Optional:* Die Dockadapter an einer Arbeitsfläche befestigen.

Falls gewünscht, können die Dockadapter zur Erhöhung der Stabilität auf der Arbeitsfläche befestigt werden.

- a. Hierfür die Andockstation (mit angebrachter Bohrvorrichtung der 700er-Serie) in der gewünschten Position auf Ihrer Werkbank platzieren.
- b. Durch jedes der vier Befestigungslöcher (2) in den Dockadaptern (D) eine Kreg-Sacklochschraube (1) drehen.

**Hinweis** Sie können Kreg-SML-C125-Schrauben oder jede andere Kreg-Sacklochschraube verwenden.



# Montage: Verstellbarer Anschlag

Die Andockstation ist mit einem verstellbaren Anschlag ausgestattet, der an jedem der Materialauflageflügel befestigt werden kann. Der verstellbare Anschlag erleichtert das Erzielen wiederholbarer Ergebnisse, wenn viele Teile den gleichen Sacklochabstand erfordern.

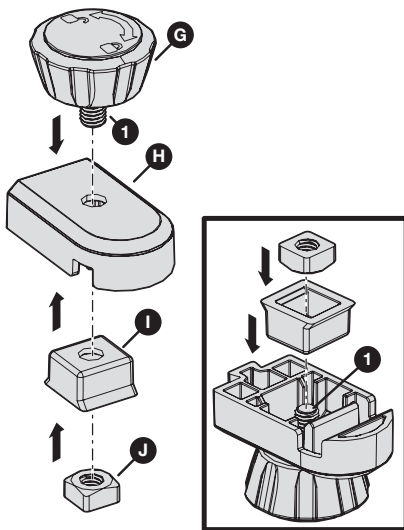
**Hinweis** Der verstellbare Anschlag besteht aus zwei Teilen: dem Sockel des verstellbaren Anschlags, dessen Montage in Schritt 1 erfolgt; und dem Arm des verstellbaren Anschlags, der in verschiedenen Positionen am Sockel des verstellbaren Anschlags befestigt werden kann (siehe Schritt 2).

## 1 Sockel des verstellbaren Anschlags zusammenfügen

- Die Schraube (1) des Anschlagknopfes (G) in das Loch oben auf dem Sockel des verstellbaren Anschlags (H) einführen.
- Den Anschlagknopf (G) in Position halten und den Sockel des verstellbaren Anschlags (H) auf den Kopf drehen, so dass die Schraube (1) nach oben zeigt.
- Den Sockelkeil des verstellbaren Anschlags (I) auf die Schraube (1) fallen lassen, wobei die geflanschte Seite des Keiles (I) nach oben zeigt.

**Hinweis** Der Sockelkeil (I) sollte bündig mit dem Sockel des verstellbaren Anschlags (H) abschließen. Falls er nicht bündig ist, den Sockelkeil (I) um 90 Grad drehen.

- Die Vierkantschraube (J) auf die Schraube (1) legen; dann den Anschlagknopf (G) drehen, bis die Vierkantschraube (J) handfest angezogen ist.



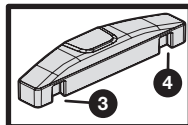
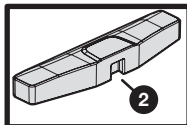
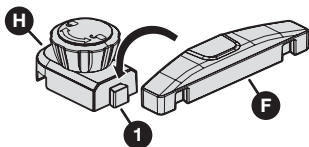


## 2 Den Arm des verstellbaren Anschlags am Sockel befestigen

Eine Kerbe im Arm des verstellbaren Anschlags (F) über den Vorsprung (1) auf dem Anschlagsockel (H) nach unten schieben, bis der Arm (F) vollständig auf dem Vorsprung (1) sitzt.

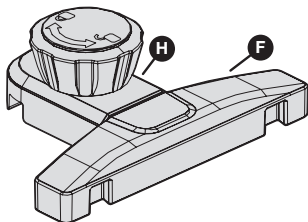
**Hinweis** Der Arm des verstellbaren Anschlags (F) verfügt über drei Kerben: eine Mittelkerbe (2) auf einer Seite und zwei äußere Kerben (3, 4) auf der gegenüberliegenden Seite. Verwenden Sie die entsprechende Kerbe, je nachdem, wie Sie den verstellbaren Anschlag einsetzen möchten.

**Hinweis** Um die Position des verstellbaren Anschlags zu ändern, den Arm des verstellbaren Anschlags (F) vom Sockel (H) abheben. Dann eine andere Kerbe des Anschlagarms (F) über den Vorsprung (1) am Sockel des verstellbaren Anschlags (H) schieben.



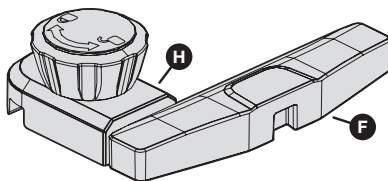
### Mittige Anordnung

Die Mittelkerbe des Arms verwenden (2)



### Seitenanordnung

Eine der äußeren Einkerbungen (3, 4) des Arms verwenden, so dass sich der Arm (F) zu einer Seite der Basis (H) erstreckt



# Betrieb - Einklappen der Materialauflageflügel

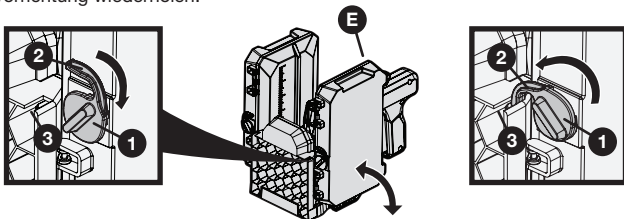
Die Materialauflageflügel können in die vertikale Position geklappt werden, um Platz zu sparen, wenn die Bohrvorrichtung nicht in Gebrauch ist, oder um das Umsetzen der Vorrichtung an einen anderen Ort zu erleichtern. Vor dem Einsatz der Bohrvorrichtung die Materialauflageflügel immer nach unten klappen.

## Zum Hochklappen der Materialauflageflügel:

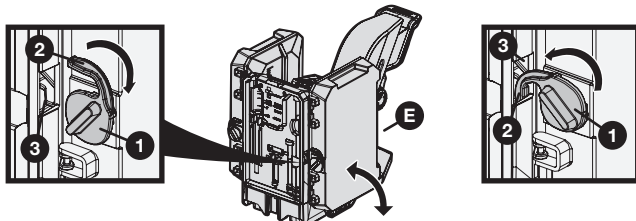
- Den Materialauflageflügel (E) in eine vertikale Position klappen.
- Die Verriegelung des Flügels (1) nach innen drehen, bis der Riegel (2) in die entsprechende Kerbe (3) einrastet:
  - Bei einer Bohrvorrichtung der 500er-Serie befindet sich die Kerbe (3) an der Seite der Rückseite der Dockbasis (A).
  - Bei einer Bohrvorrichtung der 700er-Serie befindet sich die Kerbe (3) an der Seite der Bohrvorrichtung.
- Diesen Vorgang für den Materialauflageflügel (E) auf der gegenüberliegenden Seite der Bohrvorrichtung wiederholen.

## Zum Herunterklappen der Materialauflageflügel:

- Die Flügelverriegelung (1) nach außen drehen, bis sich der Riegel (2) aus der Kerbe (3) löst:
  - Bei einer Bohrvorrichtung der 500er-Serie befindet sich die Kerbe (3) an der Seite der Dockbasis (A).
  - Bei einer Bohrvorrichtung der 700er-Serie befindet sich die Kerbe (3) an der Seite der Bohrvorrichtung.
- Den Flügel der Materialauflage (E) nach unten in eine horizontale Position klappen.
- Diesen Vorgang für den Materialauflageflügel (E) auf der gegenüberliegenden Seite der Bohrvorrichtung wiederholen.



Materialauflageflügel an einer Bohrvorrichtung der 500er-Serie herunterklappen



Materialauflageflügel an einer Bohrvorrichtung der 700er-Serie herunterklappen

# Betrieb - Verstellbaren Anschlag verwenden

Der verstellbare Anschlag ermöglicht es Ihnen, Sacklöcher auf ähnlichen Werkstücken in einem schnelleren Tempo zu bohren.

**Hinweis** Der verstellbare Anschlag muss zusammengebaut werden. Siehe **Montage: Verstellbarer Anschlag** auf Seite 100.

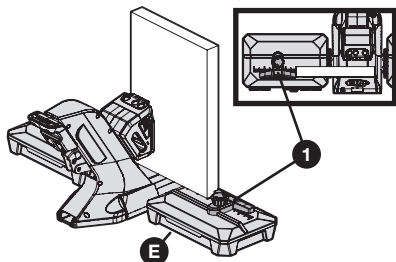
## 1 Verstellbaren Anschlag einstellen

Ändern Sie bei Bedarf die Position des verstellbaren Anschlags, um ihn an die Größe und Ausrichtung Ihres Werkstücks in der Bohrvorrichtung anzupassen:

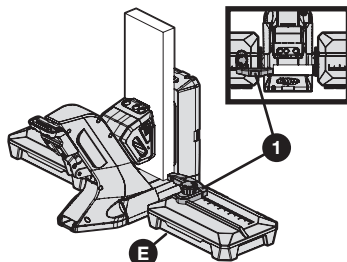
- **Breites Werkstück:** Wenn das Werkstück breit genug ist, um bis auf die Oberseite eines Materialauflageflügels (E) zu reichen, den verstellbaren Anschlag (1) in seiner *zentrierten* Position verwenden.
- **Schmales Werkstück:** Wenn das Werkstück nicht über den Spalt zwischen Bohrvorrichtung und Materialauflageflügel (E) reicht, den verstellbaren Anschlag (1) in einer *seitlichen* Position verwenden.

**Hinweis** Für eine seitliche Position diejenige äußere Kerbe am Arm des verstellbaren Anschlags verwenden, die weiter von der Bohrvorrichtung entfernt ist, nachdem der verstellbare Anschlag (1) auf einem Materialauflageflügel (E) angebracht wurde.

**Hinweis** Für eine Anleitung zur Änderung der Position siehe **Den Arm des verstellbaren Anschlags am Sockel befestigen** auf Seite 101.



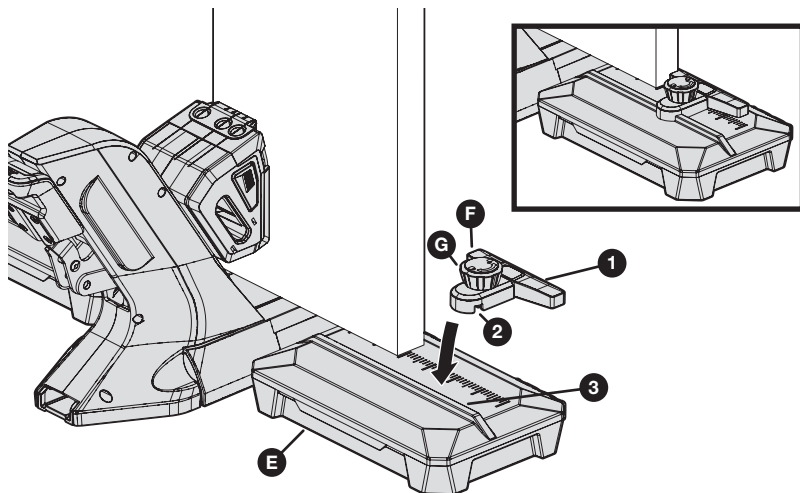
Verstellbarer Anschlag (1) in mittlerer Position für breite Werkstücke



Verstellbarer Anschlag (1) in Seitenposition für schmale Werkstücke

## 2 Verstellbaren Anschlag positionieren

- a. Wenn der verstellbare Anschlag (1) entsprechend Ihren Wünschen eingestellt ist, den verstellbaren Anschlag (1) so auf den Deckel eines Materialstützflügels (E) setzen, dass:
  - die Kante des Arms des verstellbaren Anschlags (F) eng am Werkstück anliegt.
  - die Kerbe (2) an der Sockelunterseite des verstellbaren Anschlags über die Schiene (3) passt, die über den Deckel des Materialauflageflügels (E) verläuft.
- b. Den verstellbaren Anschlagknopf (G) im Uhrzeigersinn drehen, bis er fest sitzt, um den verstellbaren Anschlag (1) in seiner Position zu sichern.



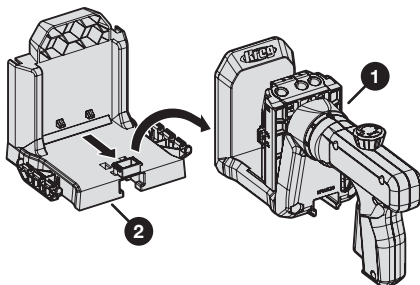
**Hinweis** Um den verstellbaren Anschlag (1) neu zu positionieren oder zu entfernen, den verstellbaren Anschlagknopf (G) gegen den Uhrzeigersinn drehen, wodurch er sich löst. Danach den verstellbaren Anschlag (1) in eine neue Position entlang der Schiene (3) schieben oder ihn vom Materialauflageflügel (E) abheben.

# Entfernen der Bohrvorrichtung aus der Andockstation

Wenn die Bohrvorrichtung ohne die Andockstation verwendet werden soll, kann sie aus der Andockstation herausgenommen werden.

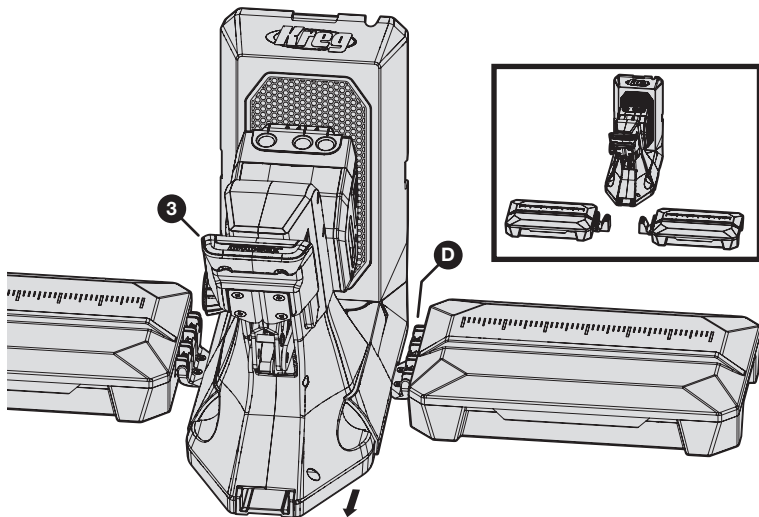
## Entfernen einer Kreg Bohrvorrichtung der 500er-Serie

Die Bohrvorrichtung (1) fest ergreifen und zu sich ziehen, damit sie von der Dockbasis (2) heruntergleitet.



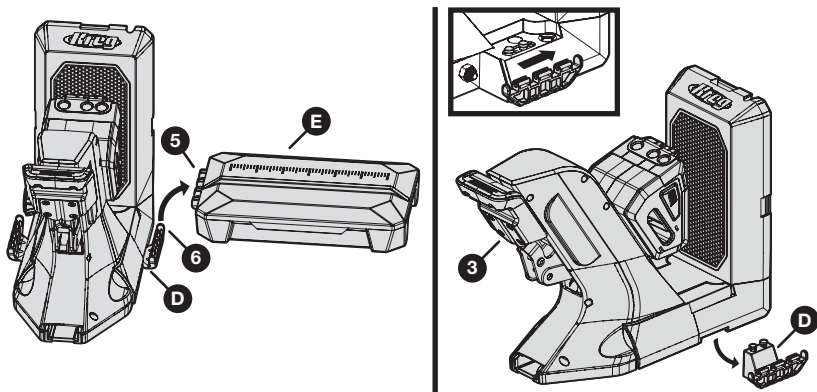
## Entfernen einer Kreg Bohrvorrichtung der 700er-Serie von einer befestigten Andockstation

Mit dem Griff (3) in Ihre Richtung zeigend die Vorrichtung zu sich schieben, bis sie sich von den Dockadaptern (D) löst. Danach die Bohrvorrichtung von den Dockadaptern (D) abheben.



## Entfernen einer Kreg Bohrvorrichtung der 700er-Serie von einer nicht befestigten Andockstation

- a. Die Materialauflageflügel abnehmen (E):
  1. Den Materialauflageflügel (E) nahe der Verbindungsstelle zum Dockadapter (D) fassen.
  2. Den Materialauflageflügel (E) vorsichtig anheben, so dass das Verbindungsstück (5) des Materialauflageflügels (5) aus dem Dockadapter-Verbindungsstück (6) herauspringt.
- b. Den Dockadapter (D) auf beiden Seiten der Bohrvorrichtung entfernen:
  1. Die Seite der Vorrichtung jeweils leicht von der Arbeitsfläche abheben.
  2. Mit dem Griff (3) der Bohrvorrichtung in Ihre Richtung zeigend den Dockadapter (D) von sich weg schieben, bis sich der Dockadapter (D) aus dem Schlitz an der Unterseite der Vorrichtung löst.
  3. Den Dockadapter (D) aus der Unterseite der Vorrichtung herausziehen.



## Pflege und Reinigung

Die Andockstation regelmäßig durch Absaugen von Spänen und Holzstaub reinigen.  
Mit einem feuchten Tuch die Oberflächen des SureGrip™ Anti-Rutsch-Pads von Staub und Ablagerungen reinigen.





## **LERNEN. BAUEN. MITTEILEN.**

Wir sind Handwerker, genau wie Sie.

Darum interessiert es uns, woran Sie gerade arbeiten.

Sprechen Sie mit der Gemeinschaft darüber und lassen Sie sich inspirieren!

**#madewithKreg**

Holen Sie sich kostenlos Pläne, Hilfsmittel für Bauprojekte und mehr.  
*kregtool.com* und *buildsomething.com*