



carbatec®

## Benchtop Disc Sander

DS-B300H MANUAL

[CARBATEC.COM.AU](http://CARBATEC.COM.AU)

**1** YEAR  
WARRANTY

# THANK YOU FOR CHOOSING carbatec®

Carbatec has been a trusted brand for woodworking enthusiasts and professionals across Australia and New Zealand, since 1987.




Our quality woodworking products are designed and built to offer value and performance, making the latest features and technological advancements more accessible to Aussie woodworkers.

Backed by our no-fuss after-sales care and warranty support, you can trust Carbatec to keep you woodworking, as promised.

**We look forward to sharing in your woodworking journey!**

If you have any questions about our products or service, please call us on **1800 658 111** or email us at **info@carbatec.com.au**

#### Find us on social media

-  [facebook.com/Carbatec](https://facebook.com/Carbatec)
-  [instagram.com/Carbatec](https://instagram.com/Carbatec)
-  [youtube.com/CarbaTecToolsForWood](https://youtube.com/CarbaTecToolsForWood)

# WHAT'S IN THE BOX

This Disk Sander will require a minimal amount of assembly.

1. Remove parts from all of the cartons and lay them on a clean work surface.
2. Remove any protective materials and coatings from all of the parts and the bench grinder. The protective coatings can be removed by spraying WD-40 on them and wiping it off with a soft cloth. This may need to be redone several times before all of the protective coatings are removed completely.

## ! CAUTION

**CAUTION: DO NOT** use acetone, gasoline or lacquer thinner to remove any protective coatings.

3. Compare the items below to verify that all items are accounted for before discarding the shipping box.

## ! WARNING

If any parts are missing, do not attempt to plug in the power cord and turn **"ON"** the Bench Grinder. The Bench Grinder can only be turned **"ON"** after all the parts have been obtained and installed correctly.

The following items are provided in the shipping box:




## DS-B300H BENCHTOP DISC SANDER

- A. 12" Disc sander
- B. 12" Velcro backing disk and sandpaper (fitted)
- C. Brake assembly and screws
- D. Mitre gauge
- E. Table locking knobs

Key information can be found on the inspection panel, found on the rear of the machine.

**carbatec**  
QUALITY INSPECTED

Model:
Voltage
Freq:
Phase:
Amp:
kW:
Speed:
Lot No.:
Serial No.:
Date:

Made in **CARBATEC PTY LTD** for:  
Brisbane - Australian 



Record the serial number and date of purchase in your manual for future reference.

SERIAL NUMBER: \_\_\_\_\_

DATE OF PURCHASE: \_\_\_\_\_

---

# CONTENTS

---

Introduction	2
What's in the box	3
Key information	4
Safety instructions - General	7-10
Safety instructions - Disc sander	11
Safety instructions - Electrical	12
Specifications	14
Overview	15
Assembly	17
Operation & Adjustments	19-22
Maintenance	23
Parts diagram	24
Parts list	25
Wiring diagram	26
Warranty details	27

---



# SAFETY INSTRUCTIONS

**IMPORTANT!** Safety is the single most important consideration in the operation of this equipment. The following instructions must be followed at all times. Failure to follow all instructions listed below may result in electric shock, fire, and/or serious personal injury. There are certain applications for which this tool was designed. We strongly recommend that this tool not be modified and/or used for any other application other than that for which it was designed. If you have any questions about its application, do not use the tool until you have contacted us and we have advised you.

The purpose of safety symbols is to attract your attention to possible dangers. The safety symbols and the explanations with them deserve your careful attention and understanding. The symbol warnings do not, by themselves, eliminate any danger. The instructions and warnings they give are no substitutes for proper accident prevention measures.

## **WARNING**

Be sure to read and understand all safety instructions in this manual, including all safety alert symbols such as “**DANGER**,” “**WARNING**,” and “**CAUTION**” before using this tool. Failure to following all instructions listed below may result in electric shock, fire, and/or serious personal injury.

7

## SYMBOL MEANING



A safety alert symbol Indicates **DANGER**, **WARNING**, or **CAUTION**. May be used in conjunction with other symbols or pictographs.



**DANGER**

Indicates an imminently hazardous situation, which, if not avoided, will result in death or serious injury.



**WARNING**

Indicates a potentially hazardous situation, which, if not avoided, could result in death or serious injury.



**CAUTION**

Indicates a potentially hazardous situation, which, if not avoided, could result in minor or moderate injury.

**NOTICE**

(Without Safety Alert Symbol) Indicates a situation that may result in property damage.



Carbatec products bearing the Regulatory Compliance Mark (RCM) have been tested in accordance with applicable Australian/New Zealand Standards to ensure their compliance with all mandatory standards and regulations (applicable at time of original sale). Carbatec Pty Ltd are registered as a responsible supplier with relevant Australian government departments and our products are registered on the EESS & ACMA database.

# GENERAL SAFETY

Operating a power tool can be dangerous if safety and common sense are ignored. The operator must be familiar with the operation of this machine. Read this manual to understand this machine. **DO NOT** operate this machine if you do not fully understand the limitations of this tool. **DO NOT** modify this machine in any way.

## BEFORE USING THIS MACHINE



### WARNING

To avoid serious injury and damage to the tool, read and follow all of the Safety and Operating Instructions before operating the machine.



### WARNING

1. Some dust created by using power tools contains chemicals to cause cancer, birth defects, or other reproductive harm. Some examples of these chemicals are:
  - Lead from lead-based paints.
  - Crystalline silica from bricks, cement, and other masonry products.
  - Arsenic and chromium from chemically treated lumber

Your risk from these exposures varies, depending on how often you do this type of work. To reduce your exposure to these chemicals: work in a well ventilated area and work with approved safety

equipment, such as those dust masks that are specially designed to filter out microscopic particles.

2. **READ** the entire Owner's Manual. **LEARN** how to use the tool for its intended applications.
3. **GROUND ALL TOOLS.** If the tool is supplied with a 3-prong plug, it must be plugged into a 3-contact electrical receptacle. The 3rd prong is used to ground the tool and provide protection against accidental electric shock.
4. **AVOID A DANGEROUS WORKING ENVIRONMENT. DO NOT** use electrical tools in a damp environment or expose them to rain.
5. **DO NOT** use electrical tools in the presence of flammable liquids or gasses.
6. **ALWAYS** keep the work area clean, well lit, and organized. **DO NOT** work in an environment with floor surfaces that are slippery from debris, grease, and wax.
7. **KEEP VISITORS AND CHILDREN AWAY. DO NOT** permit people to be in the immediate work area, especially when the electrical tool is operating.
8. **DO NOT FORCE THE TOOL** to perform an operation for which it was not designed. It will do a safer and higher quality job by only performing operations for which the tool was intended.



- 9. WEAR PROPER CLOTHING.**  
**DO NOT** wear loose clothing, gloves, neckties, or jewelry. These items can get caught in the machine during operations and pull the operator into the moving parts. The user must wear a protective cover on their hair, if the hair is long, to prevent it from contacting any moving parts.
- 10. CHILDPROOF THE WORKSHOP AREA**  
by removing switch keys, unplugging tools from the electrical receptacles, and using padlocks.
- 11. ALWAYS UNPLUG THE TOOL FROM THE ELECTRICAL RECEPTACLE**  
when making adjustments, changing parts or performing any maintenance.
- 12. KEEP PROTECTIVE GUARDS IN PLACE AND IN WORKING ORDER.**
- 13. AVOID ACCIDENTAL STARTING.** Make sure that the power switch is in the “OFF” position before plugging in the power cord to the electrical receptacle.
- 14. REMOVE ALL MAINTENANCE TOOLS**  
from the immediate area prior to turning “ON” the machine.
- 15. USE ONLY RECOMMENDED ACCESSORIES.** Use of incorrect or improper accessories could cause serious injury to the operator and cause damage to the tool. If in doubt, check the instruction manual that comes with that particular accessory.
- 16. NEVER LEAVE A RUNNING TOOL UNATTENDED.** Turn the power switch to the “OFF” position.  
**DO NOT** leave the tool until it has come to a complete stop.
- 17. DO NOT STAND ON A TOOL.** Serious injury could result if the tool tips over, or you accidentally contact the tool.
- 18. DO NOT** store anything above or near the tool where anyone might try to stand on the tool to reach it.
- 19. MAINTAIN YOUR BALANCE. DO NOT** extend yourself over the tool. Wear oil resistant rubber soled shoes. Keep floor clear of debris, grease, and wax.
- 20. MAINTAIN TOOLS WITH CARE.** Always keep tools clean and in good working order. Keep all blades and tool bits sharp, dress grinding wheels and change other abrasive accessories when worn.
- 21. EACH AND EVERY TIME, CHECK FOR DAMAGED PARTS PRIOR TO USING THE TOOL.** Carefully check all guards to see that they operate properly, are not damaged, and perform their intended functions. Check for alignment, binding or breaking of moving parts. A guard or other part that is damaged should be immediately repaired or replaced.
- 22. DO NOT OPERATE TOOL WHILE TIRED, OR UNDER THE INFLUENCE OF DRUGS, MEDICATION OR ALCOHOL.**

- 23. SECURE ALL WORK.** Use clamps or jigs to secure the work piece. This is safer than attempting to hold the work piece with your hands.
- 24. STAY ALERT, WATCH WHAT YOU ARE DOING, AND USE COMMON SENSE WHEN OPERATING A POWER TOOL.** A moment of inattention while operating power tools may result in serious personal injury.
- 25. ALWAYS WEAR A DUST MASK TO PREVENT INHALING DANGEROUS DUST OR AIRBORNE PARTICLES,** including wood dust, crystalline silica dust and asbestos dust. Direct particles away from face and body. Always operate tool in well ventilated area and provide for proper dust removal. Use dust collection system wherever possible. Exposure to the dust may cause serious and permanent respiratory or other injury, including silicosis (a serious lung disease), cancer, and death. Avoid breathing the dust, and avoid prolonged contact with dust. Allowing dust to get into your mouth or eyes, or lay on your skin may promote absorption of harmful material. Always use properly fitting AS/NZS approved respiratory protection appropriate for the dust exposure, and wash exposed areas with soap and water.
- 26. USE A PROPER EXTENSION CORD IN GOOD CONDITION.** Use of extension cords should be avoided where possible. When using an extension cord, be sure to have a cord heavy enough to carry the current your product will draw, and with compatible pin configuration and connections (NEVER use an extension cord rated at less than your machine). Longer run extensions will need heavier duty extension cords. Only connect your extension cord or machine to a receptacle that accepts your plug and never modify your plug to suit a receptacle.

## SPECIFIC SANDER SAFETY

1. **ALWAYS** place the sander on a solid work bench which will not move under load.
2. **ALWAYS** wear safety goggles as protection against flying grit and/or saw dust. In many cases, a full face shield is even better protection. A dust mask is also recommended to keep saw dust out of your lungs.
3. **ALWAYS** clear the work table of all objects except the workpiece (tools, scraps, rulers etc.) before switching on the sander.
4. **ALWAYS** keep your fingers well away from the disc.
5. **ALWAYS** switch off the sander, and make sure the disc has come to a complete stop before clearing sawdust from the table .
6. **ALWAYS** make sure there are no nails or foreign objects in the part of the workpiece to be sanded.
7. **ALWAYS** set up the machine and make all adjustments with the power **OFF**, and disconnected from the supply.
8. **ALWAYS** use the correct type and size of sanding disc for each operation.
9. **ALWAYS** maintain the smallest gap possible (approximately 4mm) between the sanding disc and the table.
10. **NEVER** operate the machine with the guards or table removed . They must all be in place and securely fastened when performing any operation
11. **NEVER** sand any material that does not have a flat surface on which to bear.
12. **NEVER** force the work into the disc. Hold it **FIRMLY** and press it gently into the disc on the **DOWNWARD** direction side.
13. **NOTE:** The disc spins in an **ANTICLOCKWISE** direction. The workpiece should **ALWAYS** be sanded on the **LEFT HAND HALF** of the disc.

# ELECTRICAL SAFETY



## WARNING

**This tool must be grounded while in use to protect the operator from electric shock.**

**IN THE EVENT OF A MALFUNCTION OR BREAKDOWN**, grounding provides the path of least resistance for electric current and reduces the risk of electric shock. This tool may be equipped with an electric cord that has an equipment grounding conductor and a grounding plug. The plug **MUST** be plugged into a matching electrical receptacle that is properly installed and grounded in accordance with **ALL** local codes and ordinances.

### DO NOT MODIFY THE PLUG PROVIDED.

If it will not fit the electrical receptacle, have the proper electrical receptacle installed by a qualified electrician.

### IMPROPER ELECTRICAL CONNECTION

of the equipment grounding conductor can result in risk of electric shock. The conductor with the green insulation (with or without yellow stripes) is the equipment grounding conductor. **DO NOT** connect the equipment grounding conductor to a live terminal if repair or replacement of the electric cord or plug is necessary.

**CHECK** with a qualified electrician or service personnel if you do not completely understand the grounding instructions, or if you are not sure the tool is properly grounded.

**Use only a 3-wire extension cord that has a 3-prong grounding plug and a 3-pole receptacle that accepts the tool's plug. replace a damaged or worn cord immediately.**

Power tools and machinery are intended for use on a circuit that has an electrical receptacle as shown in **FIGURE A**. **FIGURE A** shows a 10 Amp 3-wire electrical plug and corresponding electrical receptacle that has a grounding conductor.

If this particular tool has been designed and fitted with a two prong electrical plug, ensure it displays the 'Double Insulated' logo shown in **FIGURE B**, before connecting to a 3-wire receptacle.



## WARNING

**Never modify the standard fitted electrical plugs to fit your receptacle.**





carb  
QUALIT  
Model: DS-B3  
Voltage: 230V  
Freq: 50Hz  
Phase: 1  
Amp: 4A  
KW: 0.9kW  
Speed: 1450

## SPECIFICATIONS

<b>MOTOR:</b>	230V / 50Hz / 4A
<b>SPEED:</b>	1490 RPM
<b>POWER RATING - ON LOAD:</b>	900 Watts
<b>DISC SIZE:</b>	305 rpm
<b>DIMENSIONS OVERALL:</b>	440 x 437 x 386 mm
<b>TABLE SIZE:</b>	438 x 156mm
<b>TABLE TILT:</b>	0-45° Down
<b>MITRE GAUGE:</b>	0-60° Both Directions
<b>DUST EXTRACTION OUTLET ID:</b>	46 MM
<b>DUST EXTRACTION OUTLET OD:</b>	52 MM
<b>WEIGHT UNPACKED:</b>	29.5 Kg

**NOTE:** The specifications, photographs, drawings and information in this manual represent the current machine model when the manual was prepared. Changes and improvements may be made at any time, with no obligation on the part of Carbatec to modify previously delivered units. Reasonable care has been taken to ensure that the information in this manual is correct, to provide you with the guidelines for the proper safety, assembly and operation of this machine.

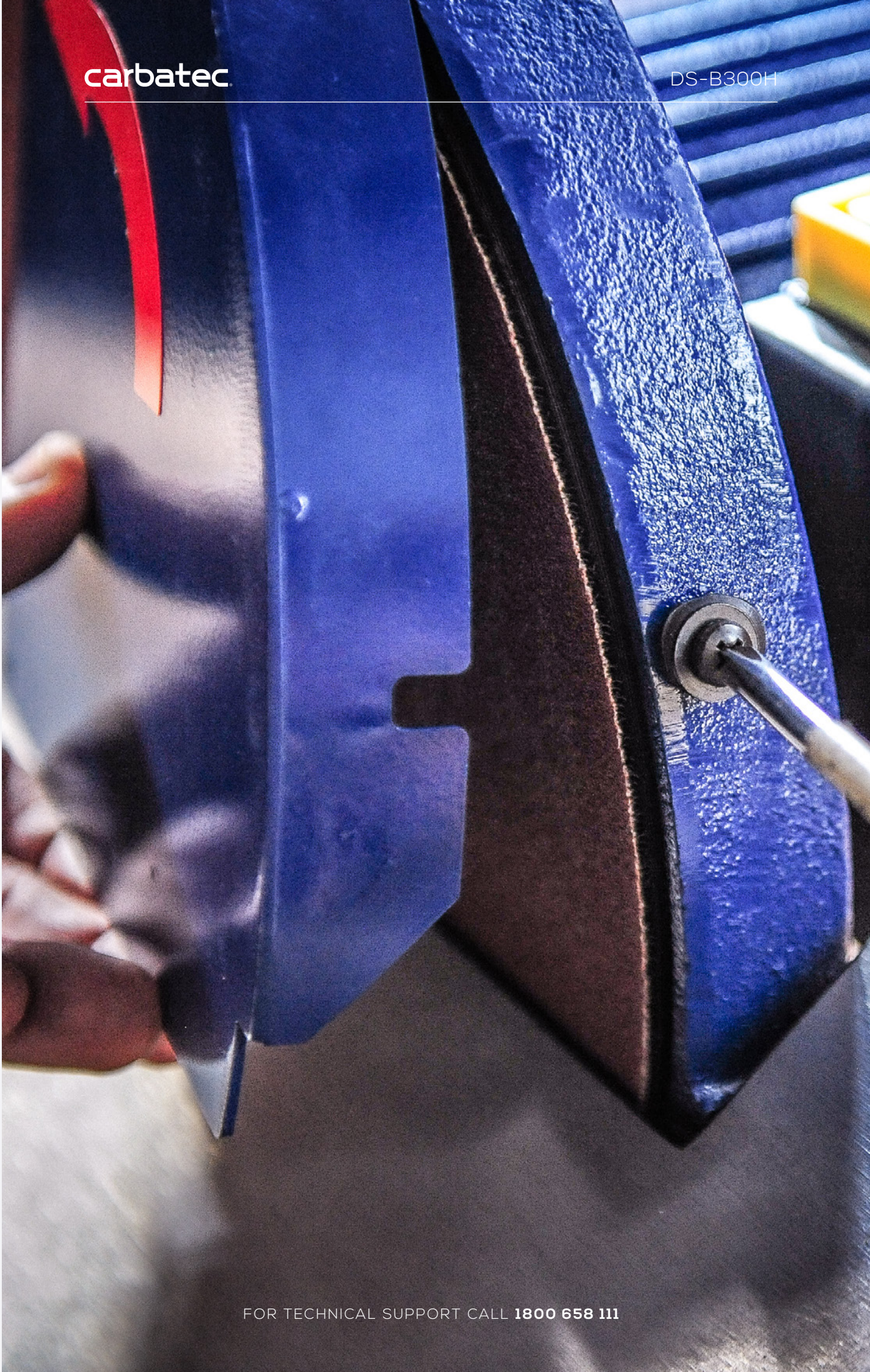
# OVERVIEW



## BENCHTOP DISC SANDER OVERVIEW

**Fig. 1**

- |                      |                           |
|----------------------|---------------------------|
| A. Manual disk brake | F. Table locking knobs    |
| B. Quarter guard     | G. Guard with dust port   |
| C. Sanding disc      | H. Rubber Feet            |
| D. Tilting table     | I. No volt release switch |
| E. Mitre gauge       |                           |





# ASSEMBLY

## POSITIONING THE SANDER

Install the machine on a solid base, one that will not move easily. Ensure that the machine is horizontal and perfectly stable.

Alternatively, the rubber feet may be removed and the machine bolted directly to a solid workbench. This avoids the possibility of the machine moving when in use.

## FITTING THE BRAKE

**Fig. 3**

1. Place the brake into position as shown.
2. Secure using the 2 screws provided.



## FITTING THE TABLE LOCKING KNOBS

**Fig. 5**

1. Thread the table locking knobs into the holes provided on both sides.

## BEFORE FIRST USE

Wipe the table surface with a rag moistened with white spirit to remove any transportation lacquer.



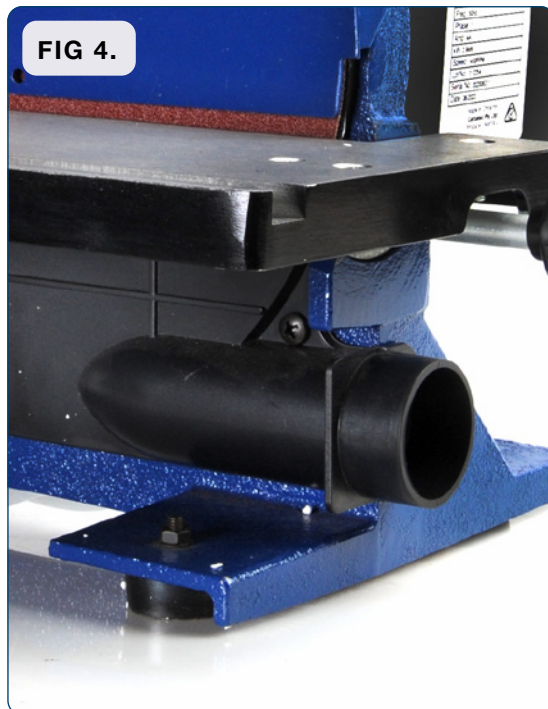
**WARNING**

**A dust extraction device must be connected when using this machine.**

## DUST EXTRACTION

**Fig. 4**

Attach a suitable hose from the dust extractor to the outlet, beneath the table.





# OPERATION

## ADJUSTING THE WORK TABLE

**Fig. 5+6**

1. Adjust the work table to the desired angle by slackening the two table locking knobs, one either side.
2. Move the table to the required angle.

**Note:** The scale indicating the table angle is to be used as a guide only, please use a calibrated device to get a precise angle.

3. Retighten the table locking knobs.

**Note:** Repeat the process until the table is securely clamped but **DO NOT** overtighten, otherwise damage to the mechanism will occur.



# OPERATION

## STARTING THE MACHINE

### Fig. 7

1. Press the GREEN START button marked 'I'.

**Note:** Allow the disc to reach full speed before commencing work.

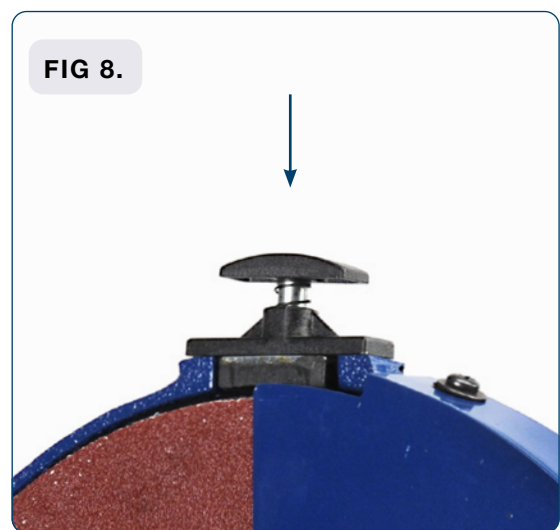
## TO STOP THE DISC SANDER

### Fig. 7+8

1. Press the RED STOP button marked 'O' and wait for the disc to stop completely before removing any dust.

**Note:** Take care, the disc may take some time to come to a full stop.

**Note:** If required, press the brake on top of the disc sander to help slow the disc.



## MITRE GAUGE

**Fig. 9+10**

- If the angle is critical, a mitre gauge should be used between the table and disc to ensure accuracy. For right angles, simply slide a square on the table, up to the disc, and adjust accordingly. The angle should be correct when slight pressure is placed on the table.
- For greater accuracy, the mitre gauge is used so that the work may be held at a required angle and moved across the disc as shown.
- Use a slight pressure **ONLY** let the disc do the work. Pressure should be on the **DOWNWARDS** direction of motion of the disc **ONLY**. i.e. on the left half of the disc as shown.

**Note:** Applying the workpiece to the right hand side of the disc may cause kickback.

**FIG 9.**



**FIG 10.**



# ADJUSTMENTS

## ADJUSTING THE TABLE GAP

### Fig. 11+12+13

This machine has been fitted with slotted support brackets allowing adjustment of the gap between the table and sanding disc.

The gap should be adjusted to a maximum of 3mm from the sanding disc.

1. Loosen the 6x table mount screws using a philips head screwdriver and 10mm spanner. (Fig. 12)
2. Adjust table to approximately 3mm from sanding surface. (Fig. 13)
3. Tighten the 6x table mount screws. (Fig. 12)

FIG 11.



FIG 12.

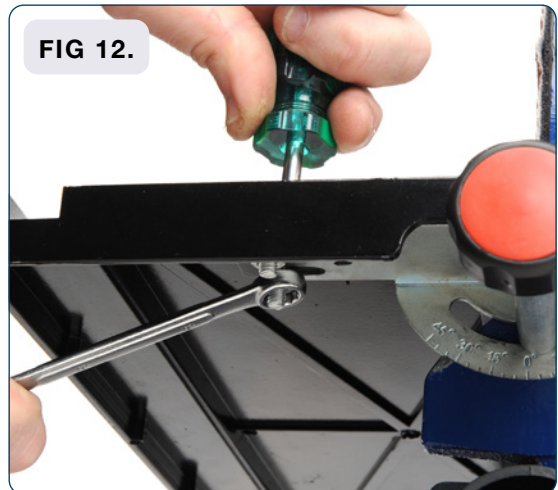
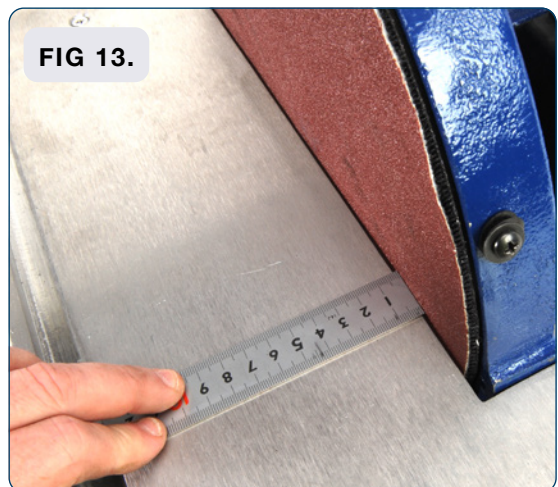


FIG 13.



# MAINTENANCE

## WARNING

**Remove the plug from the power supply before carrying out any adjustment, servicing or maintenance.**

**Note:** The machine is completely maintenance free, with the exception of ensuring it is kept clean and free from build up of sawdust at all times. This should be carried out with an old paintbrush or similar, and a vacuum cleaner.

The guard beneath the table is secured by two screws. Remove these to gain access to the lower half of the disc.

## REPLACING SANDING DISCS

**Fig. 14**

1. Remove the quarter guard with a philips head screwdriver.
2. Pull top half of hook and loop sanding disc away from machine. Slide a light plastic sheet (not included) between disc and mount.
3. Fold plastic sheet over top of disc.
4. Rotate disc 180°
5. Pull remaining hook and loop disc away from machine. Remove plastic sheet.
6. Apply plastic sheet to bottom half of new disc and reverse removal process.

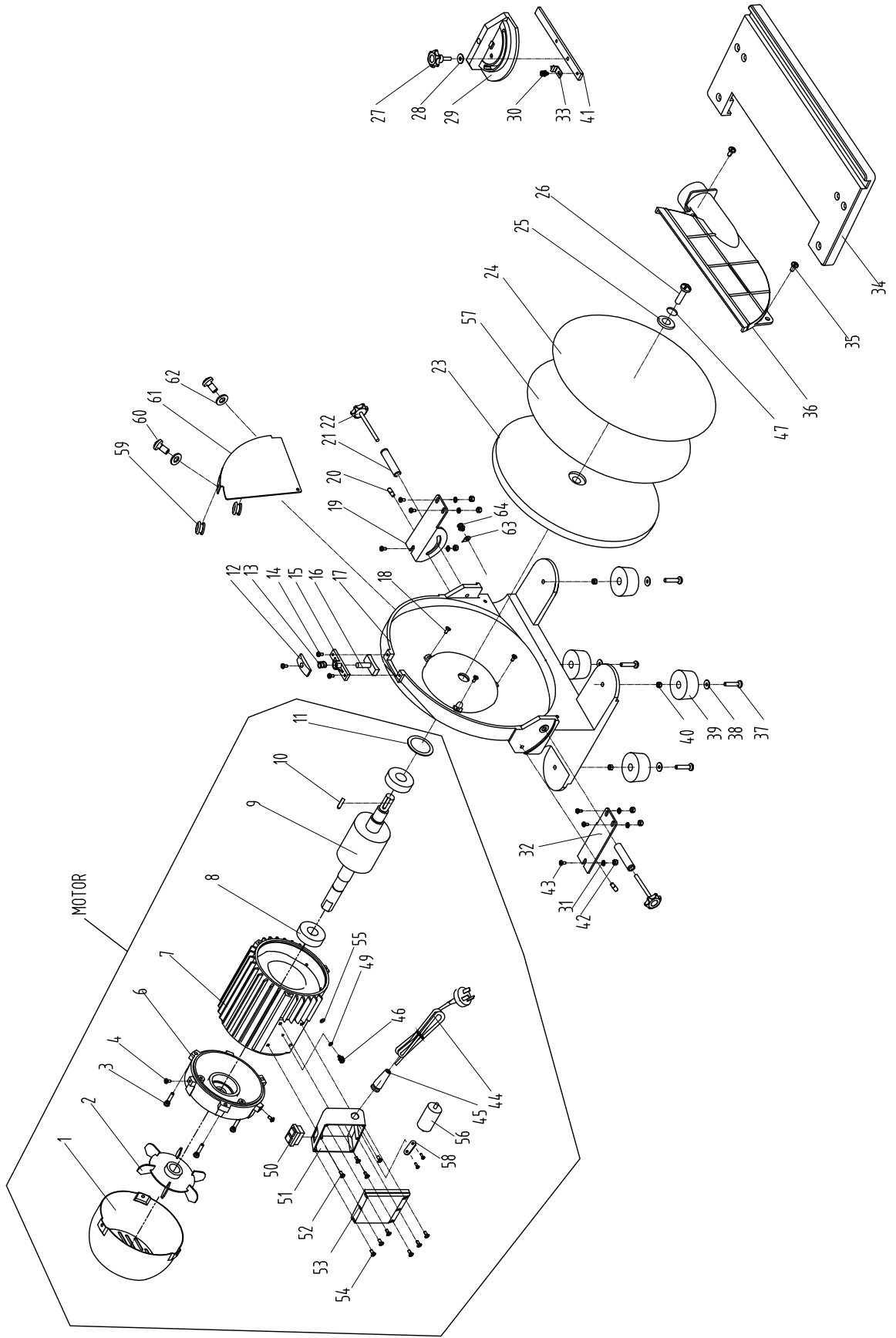
**Note:** Disc can also be replaced by removing table and lower guard.

**FIG 14.**



# PARTS DIAGRAM

**Disk Sander**  
DS-B300H





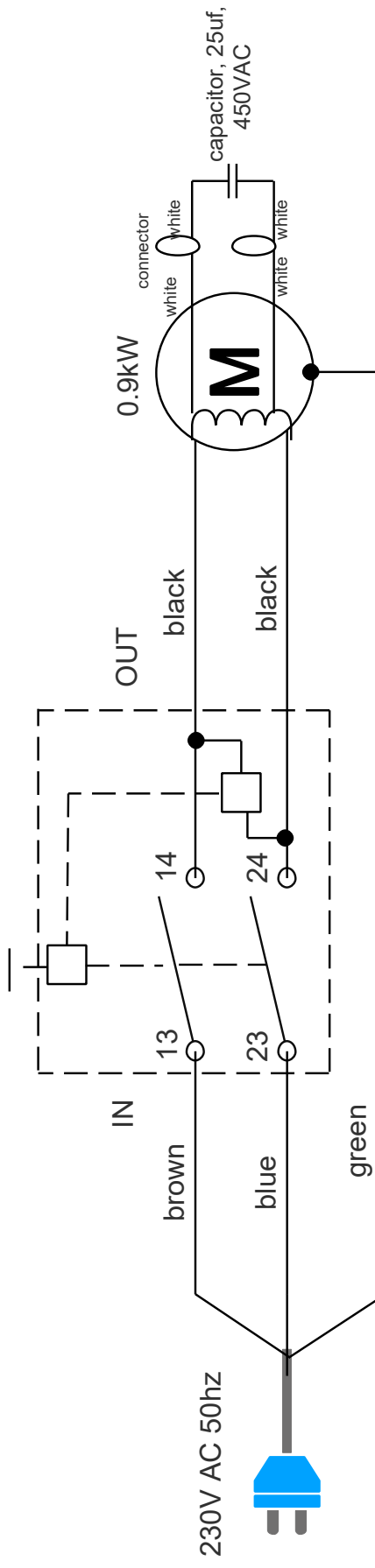
## PARTS LIST

ITEM CODE	DESCRIPTION	ITEM CODE	DESCRIPTION
DS-B300H-1	FAN COVER	DS-B300H-32	LEFT INDEX DIAL
DS-B300H-2	FAN BLADE	DS-B300H-33	POINTER
DS-B300H-3	PHILIPS SCREW+SPRING WASHER ASSY M5X25	DS-B300H-34	WORK TABLE
DS-B300H-4	PHILIPS SCREW+FLAT WASHER ASSY M4X6	DS-B300H-35	PHILIPS SCREW M6X20
DS-B300H-6	END COVER	DS-B300H-36	DUST COVER
DS-B300H-MOTOR	MOTOR ASSEMBLY SUIT DS-B300H WITH PLUG & LEAD	DS-B300H-3740	FOOT ASSEMBLY PARTS 37 - 40
DS-B300H-7	STATOR	DS-B300H-37	PHILIPS SCREW M6X25
DS-B300H-8	DEEP GROOVE BALL BEARINGS 6204-2RZ	DS-B300H-38	BIG FLAT WASHER D6
DS-B300H-9	ROTOR	DS-B300H-39	RUBBER FOOT
DS-B300H-10	FLAT KEY A5X25	DS-B300H-40	HEX NUT M6
DS-B300H-11	WAVE SPRING WASHER D47	DS-B300H-41	MITER ROD
DS-B300H-BKASY	BRAKE ASSEMBLY SUIT DS-B300H PARTS 12-16	DS-B300H-42	HEX NUT M6
DS-B300H-12	MANUAL BRAKE HANDLE	DS-B300H-43	CROSS RECESSED COUNTERSUNK HEAD SCREW M6X20
DS-B300H-13	SPRING SEE	DS-B300H-44	POWER CORD WITH PLUG SAA
DS-B300H-14	CROSS RECESSED COUNTERSUNK HEAD SCREW M4X8	DS-B300H-45	CABLE SHEATH
DS-B300H-15	MANUAL BRAKE SUPPORT	DS-B300H-46	PHILIPS SCREW+SPRING WASHER+-FLAT WASHER M4X8
DS-B300H-16	MANUAL BRAKE PAD ASSY SEE	DS-B300H-47	LOCK WASHER D6
DS-B300H-17	BASE	DS-B300H-49	STAR WASHER D4
DS-B300H-18	PHILIPS SCREW M5X30	DS-B300H-50	SWITCH KJD17
DS-B300H-19	RIGHT INDEX DIAL	DS-B300H-51	JUNCTION BOX
DS-B300H-20	SLOTTED FLAT END SET SCREW M6X12	DS-B300H-52	PHILIPS SCREW+SPRING WASHER+-FLAT WASHER M4X10
DS-B300H-21	SPACER BUSH	DS-B300H-53	JUNCTION BOX COVER
DS-B300H-22	LOCKING HANDLE ASSY	DS-B300H-54	SELF TAPPING SCREW ST3.5X16
DS-B300H-23	SANDING DISC	DS-B300H-55	EARTHING MARK
DS-B300H-24	SANDING DISC PAPER	DS-B300H-56	CAPACITOR
DS-B300H-25	WASHER FOR SANDING DISC	DS-B300H-57	VELCRO DISC
DS-B300H-26	CROSS-SLOTTED SMALL COUNTERSUNK HEAD SCREW M6X20	DS-B300H-58	STRAIN RELIEF PAD
DS-B300H-MGASY	MITER GAUGE ASSEMBLY DS-B300H	DS-B300H-59	PROTECTIING BUSH
DS-B300H-27	MITER GAUGE HANDLE	DS-B300H-60	PHILIPS SCREW M5X10
DS-B300H-28	BIG FLAT WASHER D6	DS-B300H-61	1/4 CIRCLE DISC GUARD
DS-B300H-29	MITER GAUGE	DS-B300H-62	BID FLAT WASHER D5
DS-B300H-30	PHILIPS SCREW+FLAT WASHER+SPRING WASHER M5X8	DS-B300H-63	INDEX DIAL POINTER
DS-B300H-31	STAR WASHER D6	DS-B300H-64	PHILIPS SCREW+SPRING WASHER+-FLAT WASHER M4X8

**Disk Sander**  
DS-B300H

## DS-B300H Wiring Diagram

KJD17 switch



# 1 YEAR WARRANTY

## WARRANTY

- A. We warrant that this Carbatec product will be free from defects caused by faulty workmanship or faulty materials for a period of 1 year from date of sale.
- B. This warranty is in addition to other rights and remedies you may have under a law in relation to the goods.
- C. This warranty does not apply in any of the following cases:
- i. Defects arising from:
    1. fair wear and tear;
    2. corrosive atmosphere;
    3. damage or injury caused by deliberate act, lack of care or failure to comply with the recommended care and maintenance for the goods;
    4. improper use of the goods;
    5. alterations or repairs (not made by us) to the goods;
  - ii. defects arising from an event outside of our control such as fire, flood, earthquake or other natural calamity, motor vehicle or other accident, strike, civil unrest, terrorism or war;
  - iii. to accessory items such as after-market jigs, accessories or other items which are not sold or serviced by us and which are not sold with or were not included with the main unit purchased; or
  - iv. to wearable parts such as drive belts/shafts, bearings, bandsaw tyres, motor brushes, blades or abrasive belts/discs or other cutting or machining implements.
  - v. damage caused to any electrical component, where connected to a power supply outside the country for which it was designed (namely Australia or New Zealand).
- D. If this warranty applies and you have complied with the procedure below for making a claim, we will, at our election, either repair the goods (or those parts of the goods recognised as defective) or will provide a replacement within a reasonable time at our expense.
- E. If this warranty applies, the procedure for making a claim is:
- i. you must contact us by email;
  - ii. you must include in the email the following information:
    1. a copy of the order or receipt for the goods;
    2. the serial or batch number printed on the machinery manufacturing plate; and
    3. a detailed description of the fault and how and when it arose; and
  - iii. If the fault is a type covered by this warranty, we will then make arrangements with you for the return of the goods to us (for repair or replacement) at our cost using our transport providers or we may decide to attend at your premises to repair or replace the goods.
- F. Our liability (and that of our resellers) under this warranty is wholly limited to repair or replacement of the goods (or those parts of the goods recognised as defective) in accordance with the procedure above and you have no right to other compensation, costs or damages under this warranty. But this does not mean that you may not have other rights under a law in relation to the goods.
- G. If following our inspection of goods returned by you under this warranty it is found that this warranty does not apply and you are not otherwise entitled to repair or replacement by us, you must, if requested by us, reimburse our costs including parts, labour and freight.
- H. This warranty is not transferable and only the person who purchased the goods may make a claim.
- I. Where the goods have been exported outside Australia or New Zealand, the Company may not require the Purchaser to return any allegedly faulty or defective Product for evaluation. However, the Company has the right to request the return for evaluation at purchasers cost.

## STATUTORY NOTICE

Our goods come with guarantees that cannot be excluded under the Australian Consumer Law. You are entitled to a replacement or refund for a major failure and for compensation for any other reasonably foreseeable loss or damage. You are also entitled to have the goods repaired or replaced if the goods fail to be of acceptable quality and the failure does not amount to a major failure.



## **Carbatec Pty Ltd**

**E** [info@carbatec.com.au](mailto:info@carbatec.com.au)

**AU:** 1800 658 111

**NZ:** 0800 444 329

128 Ingleston Road, Wakerley,  
Queensland Australia 4154

ABN 84 010 706 242

**CARBATEC.COM.AU**

**carbatec®**

**1** YEAR  
WARRANTY