



carbatec®

Room Air Filter

AF-1000C/AF-2000C MANUAL

CARBATEC.COM.AU

3 YEAR
WARRANTY

THANK YOU FOR CHOOSING carbatec®

Carbatec has been a trusted brand for woodworking enthusiasts and professionals across Australia and New Zealand, since 1987.

Our quality woodworking products are designed and built to offer value and performance, making the latest features and technological advancements more accessible to Aussie woodworkers.

Backed by our no-fuss after-sales care and warranty support, you can trust Carbatec to keep you woodworking, as promised.

We look forward to sharing in your woodworking journey!

If you have any questions about our products or service, please call us on **1800 658 111** or email us at info@carbatec.com.au

Find us on social media



facebook.com/Carbatec



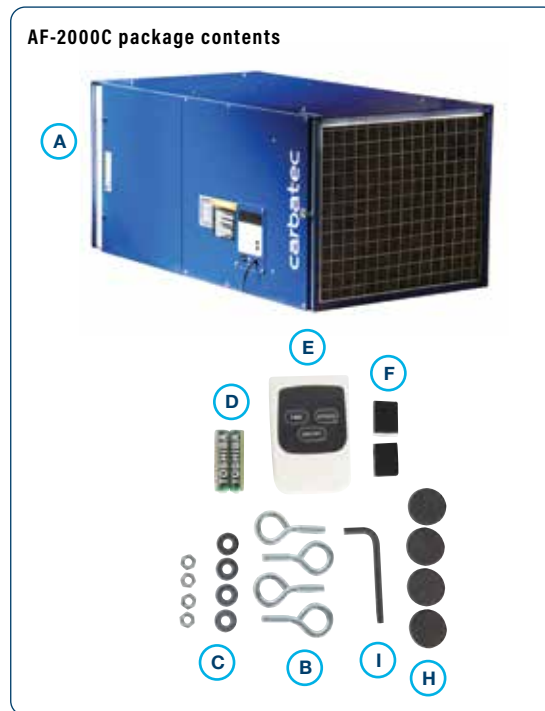
instagram.com/Carbatec



youtube.com/CarbaTecToolsForWood

WHAT'S IN THE BOX

The following items are provided in one package.



- A. Main unit with filters
- B. Hanger eye bolts
- C. Hardware
- D. Remote batteries (AAA)
- E. Remote control

- F. Hook and loop for remote control mount
- G. Low profile hanger bracket
- H. Adhesive feet
- I. Allen key

1. Remove parts from all of the cartons and lay them on a clean work surface.
2. Remove any protective materials and coatings from all of the parts of the cyclone dust extractor. The protective coatings can be removed by spraying WD-40 on them and wiping it off with a soft cloth. This may need to be redone several times before all of the protective coatings are removed completely.
3. Compare the items above to verify that all items are accounted for before discarding the shipping box.

! CAUTION

DO NOT use acetone, gasoline or lacquer thinner to remove any protective coatings.

NOTICE

If you cannot find an item on this list, carefully check around and inside the machine and components. Often, these items get lost in packaging materials. Remove all packing from the carton and re-check.

IMPORTANT


4

Key information can be found on the inspection panel, found on the rear of the machine.

carbatec
QUALITY INSPECTED

Model:
Voltage
Freq:
Phase:
Amp:
kW:
Speed:
Lot No.:
Serial No.:
Date:

Made in for:
CARBATEC PTY LTD
Brisbane - Australia



Record the serial number and date of purchase in your manual for future reference.

SERIAL NUMBER:

.....

DATE OF PURCHASE:

.....

CONTENTS

Introduction	2
What's in the box	3
Key information	4
Safety instructions - General	6-9
Safety instructions - Air Filter	9-10
Safety instructions - Electrical	11
Overview	12-13
Specifications	14
Assembly	15-19
Operation	20-21
Maintenance	22-24
Parts diagrams/Parts list	25-27
Troubleshooting	28-29
Wiring diagram	30
Warranty	31

NOTE: The specifications, photographs, drawings and information in this manual represent the current machine model when the manual was prepared. Changes and improvements may be made at any time, with no obligation on the part of Carbatec to modify previously delivered units. Reasonable care has been taken to ensure that the information in this manual is correct, to provide you with the guidelines for the proper safety, assembly and operation of this machine.

SAFETY INSTRUCTIONS

IMPORTANT! Safety is the single most important consideration in the operation of this equipment. The following instructions must be followed at all times. Failure to follow all instructions listed below may result in electric shock, fire, and/or serious personal injury. There are certain applications for which this tool was designed. We strongly recommend that this tool not be modified and/or used for any other application other than that for which it was designed. If you have any questions about its application, do not use the tool until you have contacted us and we have advised you.

The purpose of safety symbols is to attract your attention to possible dangers. The safety symbols and the explanations with them deserve your careful attention and understanding. The symbol warnings do not, by themselves, eliminate any danger. The instructions and warnings they give are no substitutes for proper accident prevention measures.

WARNING

Be sure to read and understand all safety instructions in this manual, including all safety alert symbols such as "DANGER," "WARNING," and "CAUTION" before using this tool. Failure to following all instructions listed below may result in electric shock, fire, and/or serious personal injury.

SYMBOL MEANING



A safety alert symbol Indicates **DANGER**, **WARNING**, or **CAUTION**. May be used in conjunction with other symbols or pictographs.



DANGER

Indicates an imminently hazardous situation, which, if not avoided, will result in death or serious injury.



WARNING

Indicates a potentially hazardous situation, which, if not avoided, could result in death or serious injury.



CAUTION

Indicates a potentially hazardous situation, which, if not avoided, could result in minor or moderate injury.

NOTICE

(Without Safety Alert Symbol) Indicates a situation that may result in property damage.



Carbatec products bearing the Regulatory Compliance Mark (RCM) have been tested in accordance with applicable Australian/New Zealand Standards to ensure their compliance with all mandatory standards and regulations (applicable at time of original sale). Carbatec Pty Ltd are registered as a responsible supplier with relevant Australian government departments and our products are registered on the EESS & ACMA database.

GENERAL SAFETY

Operating a power tool can be dangerous if safety and common sense are ignored. The operator must be familiar with the operation of this machine. Read this manual to understand this machine. **DO NOT OPERATE** this machine **IF YOU DO NOT FULLY UNDERSTAND** the limitations of this tool. **DO NOT MODIFY** this machine in any way.

BEFORE USING THIS MACHINE

WARNING

To avoid serious injury and damage to the tool, read and follow all of the Safety and Operating Instructions before operating the machine.

WARNING

- SOME DUST CREATED BY USING POWER TOOLS CONTAINS CHEMICALS** known to cause cancer, birth defects, or other reproductive harm. Some examples of these chemicals are:
 - Lead from lead-based paints.
 - Crystalline silica from bricks, cement, and other masonry products.
 - Arsenic and chromium from chemically treated lumber

Your risk from these exposures varies, depending on how often you do this type of work. To reduce your exposure to these chemicals: work in a well ventilated area and work with approved safety equipment, such as those dust masks that are specially designed to filter out microscopic particles.

- READ** this entire manual. **LEARN** how to use the tool for its intended applications.

- GROUND ALL TOOLS.** If the tool is supplied with a 3-prong plug, it must be plugged into a 3-contact electrical receptacle. The third prong is used to ground the tool and provide protection against accidental electric shock.
- AVOID A DANGEROUS WORKING ENVIRONMENT.** Do not use electrical tools in a damp environment or expose them to rain.
- DO NOT USE** electrical tools in the presence of **FLAMMABLE** liquids or gases.
- ALWAYS KEEP THE AREA CLEAN,** well lit, and organized. Do not work in an environment with floor surfaces that are slippery from debris, grease, and wax.
- KEEP VISITORS AND CHILDREN AWAY.** Do not permit people to be in the immediate work area, especially when the electrical tool is operating.
- DO NOT FORCE THE TOOL** to perform an operation for which it was not designed. It will do a safer and higher quality job by only performing operations for which the tool was intended.
- WEAR PROPER CLOTHING.** Do not wear loose clothing, gloves, neckties, or jewellery. These items can get caught in the machine during operations and pull the operator into the moving parts. The user must wear a protective cover on their hair, if hair is long, to prevent it from contacting any moving parts.
- CHILDPROOF THE WORKSHOP AREA** by removing switch keys, unplugging tools from the electrical receptacles, and using padlocks.

GENERAL SAFETY

- 11. ALWAYS UNPLUG THE TOOL FROM THE ELECTRICAL RECEPTACLE**
when making adjustments, changing parts or performing any maintenance.
- 12. KEEP PROTECTIVE GUARDS IN PLACE AND IN WORKING ORDER.**
- 13. AVOID ACCIDENTAL STARTING.** Make sure that the power switch is in the "OFF" position before plugging in the power cord to the electrical receptacle.
- 14. REMOVE ALL MAINTENANCE TOOLS** from the immediate area prior to turning "ON" the machine.
- 15. USE ONLY RECOMMENDED ACCESSORIES.** Use of incorrect or improper accessories could cause serious injury to the operator and cause damage to the tool. If in doubt, check the instruction manual that comes with that particular accessory.
- 16. NEVER LEAVE A RUNNING TOOL UNATTENDED.** Turn the power switch to the "OFF" position. Do not leave the tool until it has come to a complete stop.
- 17. DO NOT STAND ON A TOOL.** Serious injury could result if the tool tips over, or you accidentally contact the tool.
- 18. DO NOT STORE ANYTHING ABOVE OR NEAR** the tool where anyone might try to stand on the tool to reach it.
- 19. MAINTAIN YOUR BALANCE.** Do not extend yourself over the tool. Wear oil resistant rubber soled shoes. Keep floor clear of debris, grease, and wax.
- 20. MAINTAIN TOOLS WITH CARE.** Always keep tools clean and in good working order. Keep all blades and tool bits sharp, dress grinding wheels and change other abrasive accessories when worn.
- 21. EACH AND EVERY TIME, CHECK FOR DAMAGED PARTS PRIOR TO USING THE TOOL.** Carefully check all guards to see that they operate properly, are not damaged, and perform their intended functions. Check for alignment, binding or breaking of moving parts. A guard or other part that is damaged should be immediately repaired or replaced.
- 22. DO NOT OPERATE TOOL WHILE TIRED, OR UNDER THE INFLUENCE OF DRUGS, MEDICATION OR ALCOHOL.**
- 23. SECURE ALL WORK.** Use clamps or jigs to secure the work piece. This is safer than attempting to hold the work piece with your hands.
- 24. STAY ALERT, WATCH WHAT YOU ARE DOING, AND USE COMMON SENSE WHEN OPERATING A POWER TOOL.** A moment of inattention while operating power tools may result in serious personal injury.

- 25. ALWAYS WEAR A DUST MASK TO PREVENT INHALING DANGEROUS DUST OR AIRBORNE PARTICLES,** including wood dust, crystalline silica dust and asbestos dust. Direct particles away from face and body. Always operate tool in well ventilated area and provide for proper dust removal. Use dust extraction system wherever possible. Exposure to dust may cause serious and permanent respiratory or other injury, including silicosis (a serious lung disease), cancer, and death. Avoid breathing dust, and avoid prolonged contact with dust. Allowing dust to get into your mouth or eyes, or lay on your skin may promote absorption of harmful material. Always use properly fitting AS/NZS approved respiratory protection appropriate for the dust exposure, and wash exposed areas with soap and water.
- 26. USE A PROPER EXTENSION CORD IN GOOD CONDITION.** Use of extension cords should be avoided where possible. When using an extension cord, be sure to have a cord heavy enough to carry the current your product will draw, and with compatible pin configuration and connections. NEVER use an extension cord rated at less than your machine. Longer run extensions will need heavier duty extension cords. Only connect your extension cord or machine to a receptacle that accepts your plug and never modify your plug to suit a receptacle.

AIR FILTER SAFETY

INTENDED USE

This Air Filter is designed to assist the removal of very fine dust particles from the air within an enclosed workshop. They are not designed as a primary dust collection device, (which is designed to collect dust at the point it is created) and does not supersede the need for proper PPE (personal protective equipment) to prevent respiratory damage from hazardous dust.

HAZARDOUS DUST

Dust created while using machinery may cause cancer, birth defects, or long-term respiratory damage. Be aware of dust hazards associated with each work piece material, and always wear a AS/NZS-approved respirator to reduce your risk.

DUST ALLERGIES

Dust from certain woods may cause an allergic reaction in people and animals. Make sure you know what type of wood dust you will be exposed to in case there is a possibility of an allergic reaction.

WEAR A RESPIRATOR

Fine dust that is too small to be caught in the filter will be blown into the ambient air during operation. Always wear a AS/NZS-approved respirator during operation and for a short time after to reduce your risk of permanent respiratory damage.

AIR FILTER SAFETY

EMPTYING DUST

When emptying dust from the air filter, wear a respirator and safety glasses. Empty dust away from ignition sources and into an approved container.

DISCONNECT POWER SUPPLY

Turn the switch off, disconnect the dust collector from the power supply, and allow the impeller to come to a complete stop before leaving the machine unattended or doing any service, cleaning, maintenance, or adjustments.

SUSPENDED DUST PARTICLES AND IGNITION SOURCES

Do not operate the air filter in areas where explosion risks are high. Areas of high risk include, but are not limited to, areas near pilot lights, open flames, or other ignition sources.

FIRE SUPPRESSION

Only operate the air filter in locations that contain a fire suppression system or have a fire extinguisher nearby.

IMPELLER HAZARDS

Do not place your hands or tools into an open cabinet during operation for any reason. The suction could easily cause accidental contact with the impeller, which will cause serious personal injury or damage to the machine. Always keep small animals and children away from open dust collection inlets.

OPERATING LOCATION

To reduce respiratory exposure to fine dust, locate permanently installed air filters away from the working area. Do not operate the air filter in rainy or wet locations. Exposure to water may create a shock hazard or decrease the life of the machine.

REGULAR CLEANING

Regularly check/empty the collection filters to avoid the buildup of fine dust that can increase the risk of fire. Make sure to regularly clean the surrounding area where the machine is operated—excessive dust buildup on overhead lights, heaters, electrical panels, or other heat sources will increase the risk of fire.



No list of safety guidelines can be complete. Every shop environment is different. Accidents are frequently caused by lack of familiarity or failure to pay attention. Use this machine with respect and caution to lessen the possibility of operator injury. If normal safety precautions are overlooked or ignored, serious personal injury may occur.

ELECTRICAL SAFETY

! WARNING

This tool must be grounded while in use to protect the operator from electric shock. IN THE EVENT OF A MALFUNCTION OR BREAKDOWN, grounding provides the path of least resistance for electric current and reduces the risk of electric shock. This tool may be equipped with an electric cord that has an equipment grounding conductor and a grounding plug. **The plug MUST Be plugged** into a matching electrical receptacle that is properly installed and grounded in accordance with **ALL** local codes and ordinances.

DO NOT MODIFY THE PLUG PROVIDED. If it will not fit the electrical receptacle, have the proper electrical receptacle installed by a qualified electrician.

IMPROPER ELECTRICAL CONNECTION of the equipment grounding conductor can result in risk of electric shock. The conductor with the green insulation (with or without yellow stripes) is the equipment grounding conductor. **DO NOT** connect the equipment grounding conductor to a live terminal if repair or replacement of the electric cord or plug is necessary.

CHECK WITH A QUALIFIED ELECTRICIAN

or service personnel if you do not completely understand the grounding instructions, or if you are not sure the tool is properly grounded.

Use only a 3-wire extension cord that has a 3-prong grounding plug and a 3-pole receptacle that accepts the tool's plug. Replace a damaged or worn cord immediately.

Power tools and machinery are intended for use on a circuit that has an electrical receptacle as shown in **FIGURE A** that shows a 10 Amp 3-wire electrical plug and corresponding electrical receptacle that has a grounding conductor.

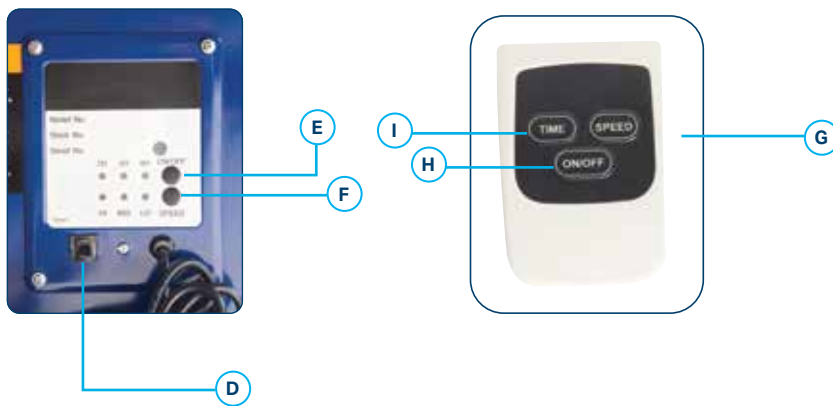
If this particular tool has been designed and fitted with a two prong electrical plug, ensure it displays the 'Double Insulated' logo shown in **FIGURE B**, before connecting to a 3- wire receptacle.

! WARNING

Never modify the standard fitted electrical plugs to fit your receptacle.



OVERVIEW



AF-1000C ROOM AIR FILTER OVERVIEW

- | | | |
|---------------------------------------|----------------------------------|------------------------------------|
| A. Control panel | E. On/off & timer control | I. Remote timer control |
| B. Exhaust port | F. Speed buttons | J. Eye bolt mounting points |
| C. Primary filters (not shown) | G. Remote speed control | |
| D. Fuse holder | H. Remote on/off control | |

OVERVIEW



AF-2000C ROOM AIR FILTER OVERVIEW

- A.** Control panel
- B.** Exhaust port
- C.** Primary filters (not shown)
- D.** Fuse holder
- E.** On/off & timer control
- F.** Speed buttons
- G.** Remote speed control
- H.** Remote on/off control
- I.** Remote timer control
- J.** Eye bolt mounting points

SPECIFICATIONS

CODE	AF-1000C	AF-2000C
MOTOR	123W (1/6HP)	250W (1/3HP)
LOW FILTER RATE	450CFM	800CFM
MEDIUM FILTER RATE	550CFM	1200CFM
HIGH FILTER RATE	600CFM	1600CFM
AVERAGE WORKSHOP CYCLES PER HOUR (6M×6M×2.4M)	12	30
FILTER EFFICIENCY (@5MICRON)	99.90%	99.90%
FILTER EFFICIENCY (@1MICRON)	85%	85%
WORKSHOP FOOTPRINT (W×D×H)	770mm × 610mm × 310mm	1120mm × 620mm × 510mm
WEIGHT	17.6/25kg	50/50kg

14



ASSEMBLY

! CAUTION



The machine is heavy.

DO NOT over-exert yourself while mounting the machine. A minimum of two people are required to safely mount this machine.

- The Carbatec Room Air Filter comes pre-assembled, however before installing the machine or performing a test run, please remove the filters and check for any packing materials that may be inside the unit. After unpacking, the machine must be installed.
- Transport the Room Air Filter in its packing to a place near its final installation site before unpacking it.
- If the packaging shows signs of possible transport damage, take the necessary precautions not to damage the machine when unpacking.
- If any damage is discovered, the carrier and/or shipper must be notified of this fact immediately to establish any claim which might arise.

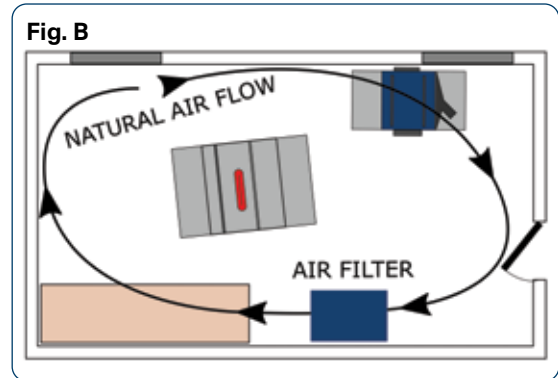
A. PLACEMENT LOCATION

Consider anticipated workpiece sizes and additional space needed for auxiliary stands, storage, or other machinery when establishing a location for this machine in the shop. See dimensions on page 14, for reference.

ASSEMBLY

B. GOOD AIR CIRCULATION

1. Place the air filter in a location that will promote circular air motion as shown. **Fig. B**
2. Try to mount the unit so that it will be running in line with the natural air currents within your workshop. The natural air currents can be seen on a bright sunny day, when there are a lot of fine dust particles in the air. Mounting the unit this way will increase efficiency.
3. When an air filter is placed too close to any obstructions, such as walls, much of the room will be unfiltered as circulation is diminished when the velocity of the air is lost. There must be a clearance of at least 1m from any obstructions in front or at the back of the unit.
4. Multiple units can be installed in various locations to improve this circulation.



C. MOUNTING TIPS

1. Mount the unit somewhere where it will be easy to access for any cleaning and maintenance
2. Place the Air Filter in an area where sanding will likely take place, or close to the source of fine dust.
3. Ensure that an appropriate powerpoint is available at the location you select for the Air Filter to plug into.
4. Ensure that the Air Filter can be installed high enough that there is enough clearance under it for people to walk and operate machinery and workpieces safely without bumping it.

D. MOUNTING THE AIR FILTER

5. The Air Filter can only be secured from the mounting hooks installed on the top of the unit.
6. The Air Filter can be placed horizontally or vertically on a secure, flat surface in lieu of hanging. Optimal height is 2.1m.
7. (AF-2000C only) If placing on a flat surface, use the 4 supplied adhesive feet on the 4 corners on the underside. This will help with access to the side panel for filter removal.

NOTE: When hanging, the air filter must be supported by hanging off joists which are capable of supporting the weight of the air filter. Refer to page 14 for the weight information.

ASSEMBLY

E. HANGING THE ROOM AIR FILTER

1. If you are suspending the unit from a ceiling, remove four screws from the top of the cabinet.
2. Thread the four locking nuts onto the four eye bolts.

Fig. E1

3. Screw the eye bolt into the hole and tighten lock nut against the cabinet top. Hold the eye bolt to prevent it spinning while tightening the nut.

4. Repeat steps for remaining three eye bolts.

5. (AF-1000C ONLY)
The AF-1000C is also supplied with 4 x low profile mount brackets, which can allow the unit to be mounted almost flush with a ceiling.

Attach the 4 brackets each with 2 hex bolts, and mount on your desired position through the holes.

Fig. E2

Note: Ensure that you use the appropriate fasteners for each unit and check mounting location.

6. Ensure unit is suspended with at least 2.1m clearance underneath.
7. Remove all plastic packaging from the unit (including any that may be on the filter cartridges), before operating.



F. MACHINE TESTING

Once assembly is complete, test run the machine to ensure it is properly connected to power and safety components are functioning correctly. If you find an unusual problem during the test run, immediately stop the machine, disconnect it from power, and fix the problem BEFORE operating the machine again.



DANGER

DO NOT start machine until all preceding setup instructions have been performed. Operating an improperly set up machine may result in malfunction or unexpected results that can lead to serious injury, death, or machine/property damage.

1. Ensure machine is either mounted in final position or on a stable surface.
2. Connect the Air Filter to the power supply.
3. Press ON button to turn the filter on. Press ON/SPEED to cycle through LO, MID and HI speeds, listening that the motor runs smoothly at each speed with no unusual noises or vibrations.
4. Press OFF button to turn off the machine.
5. Using the remote control, press the ON button to turn the Air Filter on.
6. Press TIMER button to verify auto-shutoff cycles through each option (1H, 2H)
7. Press OFF button to turn the Air Filter off.

G. OPTIONAL ACCESSORIES



A. Charcoal filter



B. Primary filter



C. Inner filter

OPERATION

H. OPERATION

The purpose of this overview is to provide the novice machine operator with a basic understanding of how the machine is used during operation.

 **CAUTION**

If you are not experienced with this type of machine, we strongly recommend that you seek additional training outside of this manual. Read books, magazines or get formal training before beginning any projects.

When you first turn on your Air Filter, the fan motor starts on Hi before settling on your selected speed.

Unfiltered air is drawn into the filter and the resulting clean, filtered air is circulated back into your workshop.

When used in conjunction with an effective dust collection system, this Room Air Filter removes most fine wood particles up to 1micron from the air.

I. REMOTE CONTROL OPERATION

The timer button controls the three different timer settings.

2H will light up on the back of the unit with one press of the time button. The air filtration system will operate for 2 hours then shut off.

4H will light up on the back of the unit by pressing the time button twice. The air filtration system will operate for 4 hours then shut off.

8H will light up on the back of the unit by pressing the time button three times. The air filtration system will operate for 8 hours then shut off.

Speed button controls the three different speed settings, Low, Medium and High.

J. MANUAL OPERATION

There is also a manual operation panel on the rear of the unit. It has a manual On/Off power switch and a timer operation switch. The rear panel also has a Fuse switch, which will pop out in the case of overload. To reset, wait 3-5 minutes and push the fuse reset in.

MAINTENANCE

K. MAINTENANCE SCHEDULE

For optimum performance from this machine, this maintenance schedule must be strictly followed ongoing.

If you ever observe any of the below, shut down the machine immediately and fix the problem before continuing operations:

- Loose mounting bolts
- Clogged or dirty filters
- Worn or damaged wires
- Any other unsafe condition.

Check the filters after every 8 hours of use.

Replace the filter if it develops a leak, becomes damaged or if you cannot see through it due to caked dust and grime.

L. REMOVING/ REPLACING FILTER

During regular use, the filter can be cleaned several times before needing to be replaced. There are two filters that need to be changed.

1. Disconnect machine from power.
2. (AF-1000C) The outer filter can easily be removed by disengaging the two clips.

Fig. L1A

Now you can simply pull the filter out, or use a screwdriver to pop the filter out.

Fig. L1B



WARNING

Dust exposure created while using machinery may cause cancer, birth defects, or long-term respiratory damage. Always wear goggles and a AS/NZS 1716:2012 compliant approved respirator when working with the dust collection bags or canisters.

(AF-2000C) Remove allen screws from side of cabinet to access filters. Slide filters out to remove.

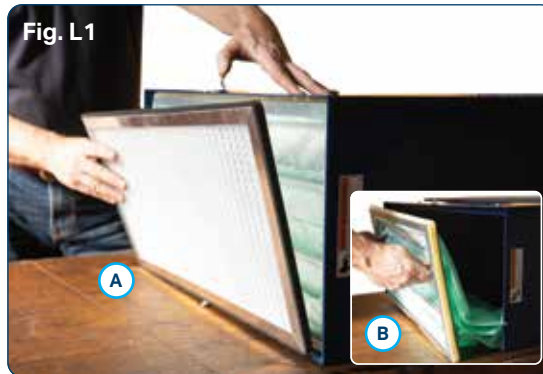
Fig. L2A

3. Ensure you wear eye and respiratory protection. See warning on previous page.
4. Place the filter in a bag and shake gently to remove dust. Visually inspect to see if it needs to be replaced.
5. The inner filter can now be pulled out of the unit. The inner filter can be blown out with air until it's clean, or washed with warm water and allowed to dry completely before reinstalling. Clogged filters will reduce the amount of air circulation.

Fig. L1B or L2B

6. Vacuum inside air filter housing.
7. Return both filters into their positions and secure with the filter retaining clips or replace access panel.
8. The AF-2000C also features a removeable exhaust filter which can slide out for maintenance as detailed above.

Fig. L3



NOTE: There is an arrow indicating the air flow direction on the outer filter. Make sure the filter is inserted facing the proper direction.

MAINTENANCE

M. REPLACING THE FUSE

In the case of a thermal overload, the control panel fuse will blow.

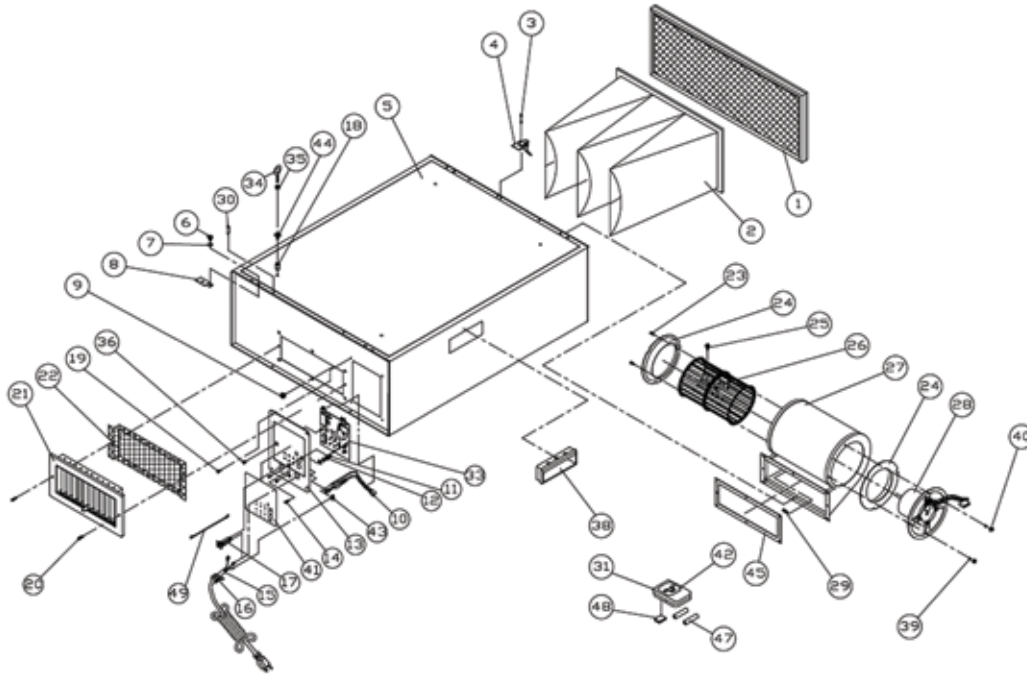
To replace the 5 amp 250V fuse:

1. Disconnect machine from power.
2. Remove the fuse holder located on the control panel.
3. Remove old fuse from holder and install new fuse.
4. Place the fuse holder back into position.



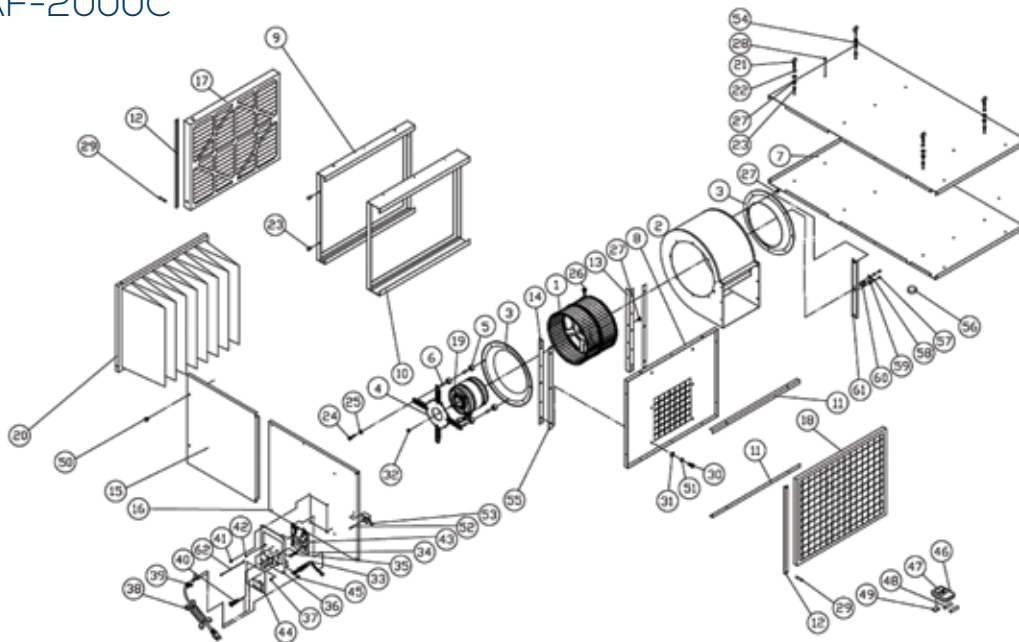
PARTS DIAGRAM

AF-1000C



25

AF-2000C



Room Air Filters
AF-1000C/AF-2000C

PARTS LIST AF-1000C

PART REF.	DESCRIPTION	SIZE	QTY	PART REF.	DESCRIPTION	SIZE	QTY
1	FILTER SET		1	23	PAN HEAD BOLT W/FLANGE	M4X8L	4
2	FILTER BAG SET		1	24	AIR GUIDE PLATE		2
3	RIVET	NSS 4-4	4	25	HEX SOCKET BOLT	M6X10L	1
4	DOOR CLIP SET		2	26	FAN BLADE		1
5	AIR BOX		1	27	FAN HOUSING		1
6	HEX HEAD BOLT	M6X6L	8	28	MOTOR (SET)		1
7	SPRING WASHER	M6	8	29	PAN HEAD BOLT	M4X12L	4
8	HANGER PLATE		4	30	RIVET	4-1	8
9	PAN HEAD BOLT W/FLANGE	M6X8L	6	31	REMOTE CONTROL		1
10	SWITCH WIRE W/TERMINAL	18AWG	1	33	PC BOARD		1
11	NUT	M5	6	34	RING		4
12	STAR WASHER (EXTERNAL)	M5	6	35	NUT	M6	4
13	SWITCH PLATE		1	36	COUNTER SUNK BOLT	1/8"X1/4"L	3
14	PAN HEAD BOLT	M5X12L	1	38	CONCAVE HANDLE		2
15	ELECTRIC WIRE	18AWGX3C	1	39	SPRING WASHER	M4	4
16	STRAIN RELIEF		1	40	NUT	M4	4
17	3A THERMOS SWITCH	3A	1	41	LABEL		1
17	3A THERMOS SWITCH	3A	1	42	LABEL		1
18	NUT	M6	4	43	WIRING NUT	P2	1
19	PAN HEAD BOLT	M4X6L	4	44	PAN HEAD BOLT W/FLANGE	M6X8L	4
20	PAN HEAD BOLT	M4X12L	2	45	PAD		1
21	EXHAUST PLATE SET		1	47	BATTERY	N0.4	2
	EXHAUST CAP		1	48	MAGIC TAPE		1
	EXHAUST BRACKET		10	49	GROUND WIRE	18AWG*20CM	1
22	SAFETY NET		1				

PARTS LIST AF-2000C

PART REF.	DESCRIPTION	SIZE	QTY	PART REF.	DESCRIPTION	SIZE	QTY
1	FAN BLADE		1	32	NUT	M5*0.8	4
2	FAN HOUSING		1	33	SWITCH WIRE W/TERMINAL	18AWGX20	1
3	AIR GUIDE PLATE		2	34	NUT	M5*0.8	6
4	FLANGE		1	35	STAR WASHER (EXTERNAL)	M5	6
5	PAD		4	36	SWITCH PLATE		1
6	SLEEVE		4	37	PAN HEAD BOLT	M5*0.8*12	1
7	BOX PLATE		1	38	CORD		1
8	FAN PLATE		1	39	STRAIN RELIEF	6W3-4S	1
9	FRAME		1	40	8A THERMOS SWITCH	8A 115V 60HZ	1
10	FRAME		1	41	TAPPING SCREW	M4*0.7*8	4
11	AIR FILTER SUPPORT		2	42	COUNTER SUNK BOLT	1/8"*1/4"	3
12	AIR BOX SUPPORT		2	43	PC BOARD		1
13	FAN HOUSING FIXED (1)		1	44	LABEL		1
14	FAN HOUSING FIXED (2)		1	45	WIRING NUT	P2	1
15	SIDE COVER		1	46	REMOTE CONTROL		
16	FAN COVER		1	47	LABEL		
17	PAPER FRAME AIR FILTER		1	48	BATTERY	9V	2
18	COCONUT AIR FILTER		1	49	MAGIC TAPE		
19	MOTOR	115V 60HZ	1	50	BOLT		2
20	BAG MOLD AIR FILTER		1	51	SPRING WASHER	M8	6
21	RING		4	52	RIVET	NSS4-4	2
22	NUT	M6	4	53	DOOR CLIP SET		1
23	NUT	M6	6	54	WASHER	M6*ø16	4
24	HEX SOCKET BOLT	M6*1*30	4	55	PAD		2
25	WASHER	M6*ø16	4	56	PAD		4
26	HEX SOCKET BOLT	M8*1.25*16	1	57	HEX SOCKET BOLT	M5*0.8*8	2
27	PAN HEAD BOLT W/FLANGE	M6*1*8	22	58	SPRING WASHER	M5	2
28	TAPPING SCREW	M4*0.7*8	30	59	FIXED PLATE		1
29	RIVET	6-2	4	60	BUSHING		1
30	HEX HEAD BOLT	M8*1.25*20	6	61	SUPPORT PLATE		1
31	WASHER	M8*18*t1.8	6	62	GROUND WIRE	18AWG*20CM	1

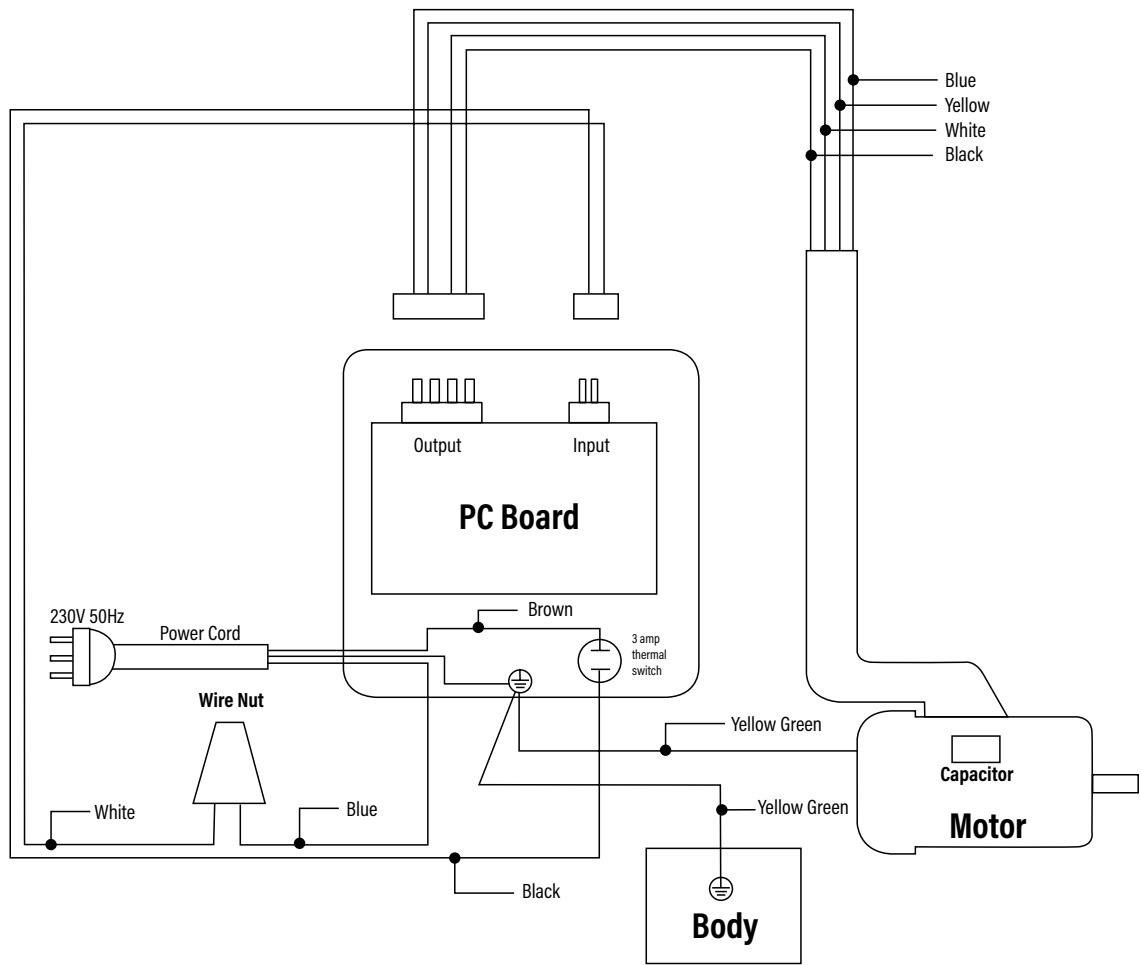
TROUBLESHOOTING

TO PREVENT INJURY TO YOURSELF or damage to the cyclone dust collector, turn the switch to the **"OFF"** position and unplug the power cord from the electrical receptacle before making any adjustments.

PROBLEM	LIKELY CAUSE(S)	SOLUTION(S)
Machine does not start, or power supply fuse or breaker trips immediately after startup.	1. Incorrect power supply voltage or circuit size.	Ensure correct power supply voltage and circuit size.
	2. Power supply circuit breaker tripped or fuse blown.	Ensure circuit is sized correctly and free of shorts.
	3. Motor overheated.	Reset circuit breaker or replace fuse.
	4. Wiring open / has high resistance.	Allow motor to cool, reset overload if necessary.
	5. Power switch at fault.	Check and fix broken, disconnected, or corroded wires.
	6. Capacitor at fault.	Test and replace.
	7. Motor at fault.	Test and repair or replace.
Machine seems underpowered.	1. Motor overheated.	Allow motor to cool, reset overload if necessary.
	2. Filter clogged or at fault.	Clean filters. Replace filters.
	3. Capacitor at fault.	Test and repair or replace.
	4. Motor bearings at fault.	Test by rotating shaft. Rotational grinding or loose shaft requires bearing replacement.
Machine has vibration or noisy operation.	1. Motor or component loose.	Inspect, replace damaged bolts and nuts, and retighten with thread-locking fluid.
	2. Motor fan rubbing on fan cover.	Fix replace fan cover. Replace loose or damaged fan.
	3. Motor mount loose or broken.	Tighten or replace.
	4. Impeller damaged, unbalanced, or loose.	Inspect, tighten or replace.
	5. Motor bearings at fault.	Test by rotating shaft. Rotational grinding or loose shaft requires bearing replacement.
	6. Motor shaft bent.	Test with dial indicator. Replace motor if damaged.

PROBLEM	LIKELY CAUSE(S)	SOLUTION(S)
Air filter blows sawdust into the air.	1. Duct clamps or filter are not properly clamped and secured.	Re-secure filter, making sure they are tight.
	2. Cylinder or funnel seals are loose or damaged.	Retighten all mounting and sealing points. Replace damaged seals/gaskets.
Loud, repetitious noise, or excessive vibration coming from dust extractor (non-motor related).	1. Air filter not on a flat surface and wobbles.	Stabilize and level unit.
	2. Impeller damaged and unbalanced.	Inspect and replace.
	3. Impeller loose on the motor shaft.	Secure impeller. Replace motor and impeller as a set if motor shaft and impeller hub are damaged.

WIRING DIAGRAM



3 YEAR WARRANTY

WARRANTY

- A. We warrant that this Carbatec product will be free from defects caused by faulty workmanship or faulty materials for a period of 3 years from date of sale.
- B. This warranty is in addition to other rights and remedies you may have under a law in relation to the goods.
- C. This warranty does not apply in any of the following cases:
- i. Defects arising from:
 1. fair wear and tear;
 2. corrosive atmosphere;
 3. damage or injury caused by deliberate act, lack of care or failure to comply with the recommended care and maintenance for the goods;
 4. improper use of the goods;
 5. alterations or repairs (not made by us) to the goods;
 - ii. defects arising from an event outside of our control such as fire, flood, earthquake or other natural calamity, motor vehicle or other accident, strike, civil unrest, terrorism or war;
 - iii. to accessory items such as after-market jigs, accessories or other items which are not sold or serviced by us and which are not sold with or were not included with the main unit purchased; or
 - iv. to wearable parts such as drive belts/shafts, bearings, bandsaw tyres, motor brushes, blades or abrasive belts/discs or other cutting or machining implements.
 - v. damage caused to any electrical component, where connected to a power supply outside the country for which it was designed (namely Australia or New Zealand).
- D. If this warranty applies and you have complied with the procedure below for making a claim, we will, at our election, either repair the goods (or those parts of the goods recognised as defective) or will provide a replacement within a reasonable time at our expense.
- E. If this warranty applies, the procedure for making a claim is:
- i. you must contact us by email;
 - ii. you must include in the email the following information:
 1. a copy of the order or receipt for the goods;
 2. the serial or batch number printed on the machinery manufacturing plate; and
 3. a detailed description of the fault and how and when it arose; and
 4. If the fault is a type covered by this warranty, we will then make arrangements with you for the return of the goods to us (for repair or replacement) at our cost using our transport providers or we may decide to attend at your premises to repair or replace the goods.
- F. Our liability (and that of our resellers) under this warranty is wholly limited to repair or replacement of the goods (or those parts of the goods recognised as defective) in accordance with the procedure above and you have no right to other compensation, costs or damages under this warranty. But this does not mean that you may not have other rights under a law in relation to the goods.
- G. If following our inspection of goods returned by you under this warranty it is found that this warranty does not apply and you are not otherwise entitled to repair or replacement by us, you must, if requested by us, reimburse our costs including parts, labour and freight.
- H. This warranty is not transferable and only the person who purchased the goods may make a claim.
- Where the goods have been exported outside Australia or New Zealand, the Company may not require the Purchaser to return any allegedly faulty or defective Product for evaluation. However, the Company has the right to request the return for evaluation at purchasers cost.

STATUTORY NOTICE

Our goods come with guarantees that cannot be excluded under the Australian Consumer Law. You are entitled to a replacement or refund for a major failure and for compensation for any other reasonably foreseeable loss or damage. You are also entitled to have the goods repaired or replaced if the goods fail to be of acceptable quality and the failure does not amount to a major failure.



Carbatec Pty Ltd

E info@carbatec.com.au

AU 1800 658 111

NZ 0800 444 329

128 Ingleston Road, Wakerley,
Queensland Australia 4154

ABN 84 010 706 242

CARBATEC.COM.AU

carbatec®

3 YEAR
WARRANTY